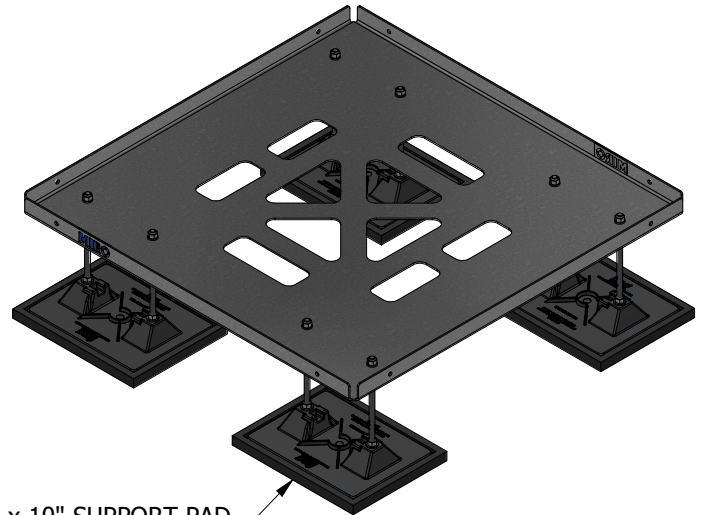
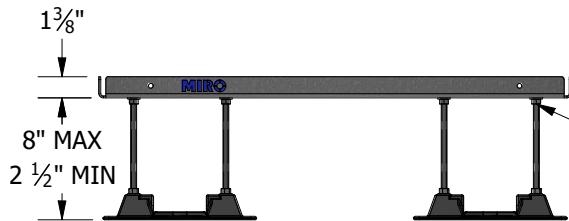


**TOP VIEW**



7 1/2" x 10" SUPPORT PAD  
\*ACCESSORY ITEM\*

**ISOMETRIC**



**SIDE VIEW**

IF PAN IS LOWERED, CONTRACTOR MAY CUT OFF EXCESS ALL-THREAD ABOVE THE PAN AS NEEDED.

**ACCESSORIES**

- 7-1/2" x 10" Support pad
- Eternabond® 2-sided tape

**PRODUCT DESCRIPTION**

The MIRO LD-Mechanical Supports are design to elevate rooftop mechanical units, cabinets and other devices. The LD-Mechanical Supports pan is designed with slots to allow proper ventilation as well as moisture drainage away from the unit. The supports are adjustable in height per the drawing.

**KEY INFORMATION**

- Designed to support mechanical units, cabinets and other devices.
- Adjustable height from 2-1/2" up to 8", even load required, maximum load is 200 lbs.
- Custom sizes available upon request

**MATERIAL INFORMATION**

- Base Material: Polycarbonate
- 3/8"-16 304 SS All-Thread
- 11 ga. A36 HDG metal pan
- HDG hardware