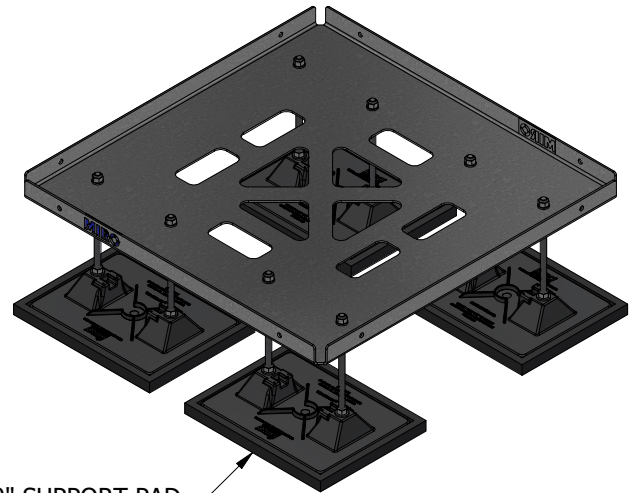
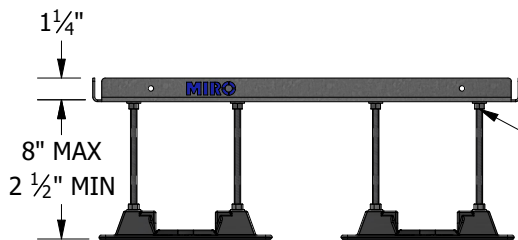


TOP VIEW



7 1/2" x 10" SUPPORT PAD
ACCESSORY ITEM

ISOMETRIC



SIDE VIEW

IF PAN IS LOWERED, CONTRACTOR MAY CUT OFF EXCESS ALL-THREAD ABOVE THE PAN AS NEEDED.

ACCESSORIES

- 7-1/2" x 10" Support pad
- Eternabond® 2-sided tape

PRODUCT DESCRIPTION

The MIRO LD-Mechanical Supports are design to elevate rooftop mechanical units, cabinets and other devices. The LD-Mechanical Supports pan is designed with slots to allow proper ventilation as well as moisture drainage away from the unit. The supports are adjustable in height per the drawing.

KEY INFORMATION

- Designed to support mechanical units, cabinets and other devices.
- Adjustable height from 2-1/2" up to 8", even load required, maximum load is 200 lbs.
- Custom sizes available upon request

MATERIAL INFORMATION

- Base Material: Polycarbonate
- 3/8"-16 304 SS All-Thread
- 11 ga. A36 HDG metal pan
- HDG hardware