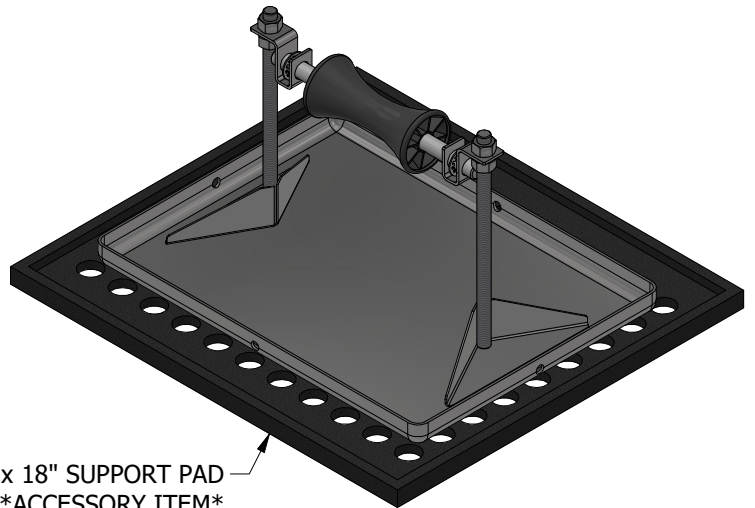
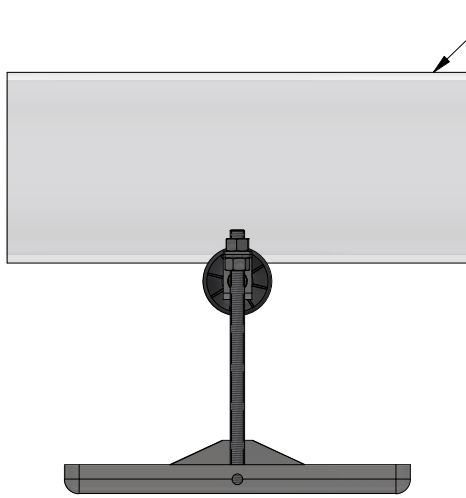


**TOP VIEW**



16" x 18" SUPPORT PAD  
\*ACCESSORY ITEM\*

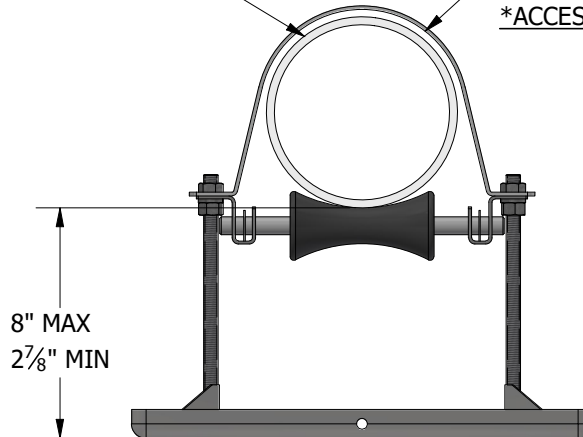
**ISOMETRIC VIEW**



**SIDE VIEW**

6" SCH. 40 PIPE  
ILLUSTRATION ONLY

6-RAH PIPE GUIDE  
\*ACCESSORY ITEM\*



8" MAX  
2 7/8" MIN

**FRONT VIEW**

**ACCESSORIES**

- Refer to 6-RAH Pipe Guide specification for available sizes.
- 16" x 18" Support pad
- Eternabond® 2-sided tape

**PRODUCT DESCRIPTION**

A "roller-bearing" pipe support used to support roof-mounted gas pipes, electrical conduit, solar piping and other mechanical piping. Unique design absorbs thermal expansion and contraction of pipes thus preventing damage to the roof membrane. Pipes rest on a self-lubricating polycarbonate resin axle and roller.

**KEY INFORMATION**

- Optimally designed for a 6" pipe.
- Maximum pipe OD (with insulation) is 8-1/2".
- Adjustable from the factory set maximum height of 8" down to a minimum height of 2-7/8".
- Maximum load is 524 lbs. (3.0 psi) Make certain each pipe support is properly elevated to evenly distribute weight at all pipe support locations.
- Unit weight: 9.74 lbs.
- Recommended spacing is not to exceed 10' centers depending upon the load.

**MATERIAL INFORMATION**

- Base Material: 16 ga. 304 SS
- All-Thread: 1/2"-13 SS
- Axle: 5/8" SS Rod
- Roller Material: Polycarbonate
- Hardware: HDG

The information contained in this drawing is the sole property of MIRO Industries, Inc. Any reproduction in part or as a whole without written permission of MIRO Industries, Inc. is prohibited.

DATE:  
JAN 2022

6-RAH-8 SS