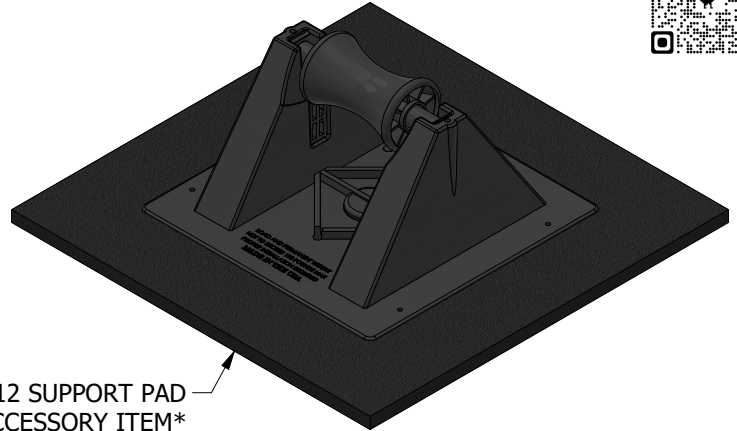
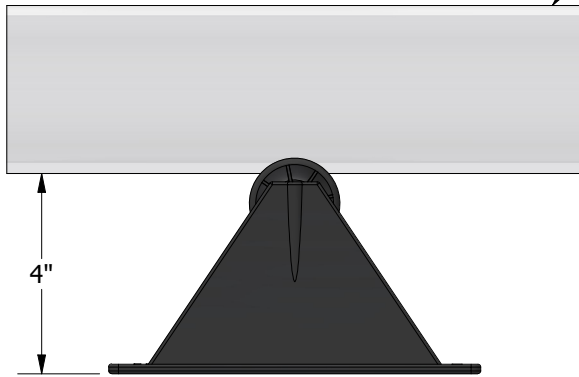


**TOP VIEW**

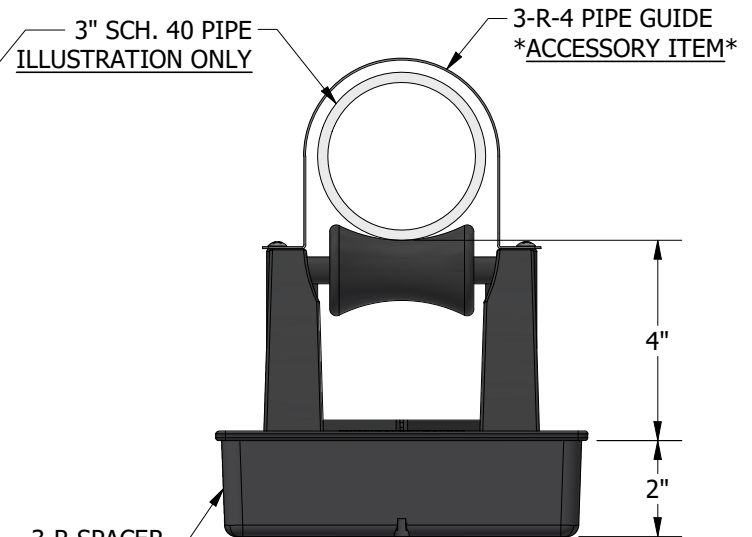


12 x 12 SUPPORT PAD  
\*ACCESSORY ITEM\*

**ISOMETRIC VIEW**



**SIDE VIEW**



3-R SPACER  
\*ACCESSORY ITEM\*

**END VIEW**

**ACCESSORIES**

- 3-R-4 pipe guide
- 3-R spacer
- Support pad
- Eternabond® 2-sided tape

**PRODUCT DESCRIPTION**

A "roller-bearing" pipe support used to support roof-mounted gas pipes, electrical conduit, solar piping and other mechanical piping. Unique design absorbs thermal expansion and contraction of pipes thus preventing damage to the roof membrane. Pipes rest on a polycarbonate resin roller and a rod situated in a polycarbonate resin seat.

**KEY INFORMATION**

- Support is optimized to carry up to a 3" pipe.
- Maximum pipe OD for the support is 3-3/4".
- Pipe clearance is 4"
- 3-R Spacer accessory adds an additional 2" of height per spacer. Manufacturer recommends a maximum of (2) spacer be used.
- Maximum load is 118 lbs. based on 3.0 psi to the roof deck. Even load required.
- Unit Weight: 1.08 lbs.
- 24 per case (27 lbs.)
- Recommended spacing is not to exceed 7' centers depending upon the load.
- 20 Year Warranty

**MATERIAL INFORMATION**

- Base Material: Polycarbonate
- Axle and Roller Material: Polycarbonate

The information contained in this drawing is the sole property of MIRO Industries, Inc. Any reproduction in part or as a whole without written permission of MIRO Industries, Inc. is prohibited.

DATE:  
JAN 2022

3-R-4