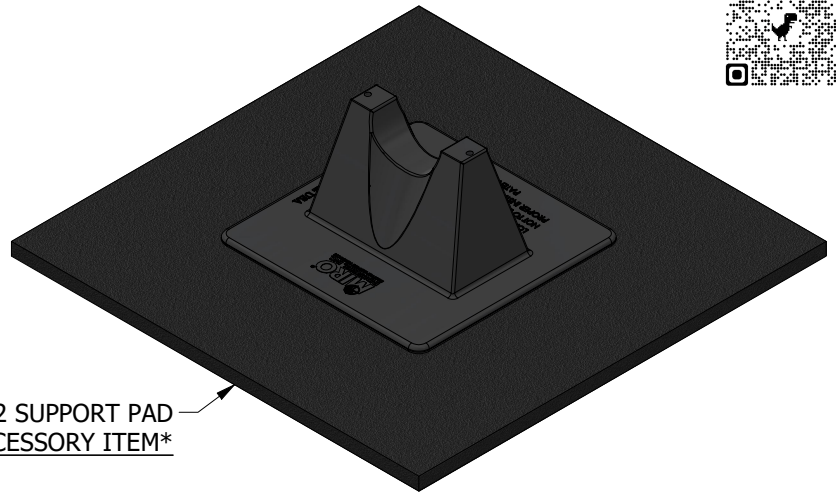
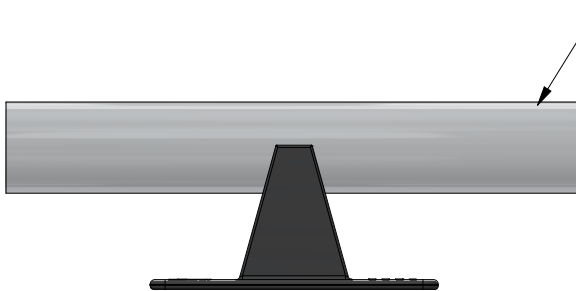


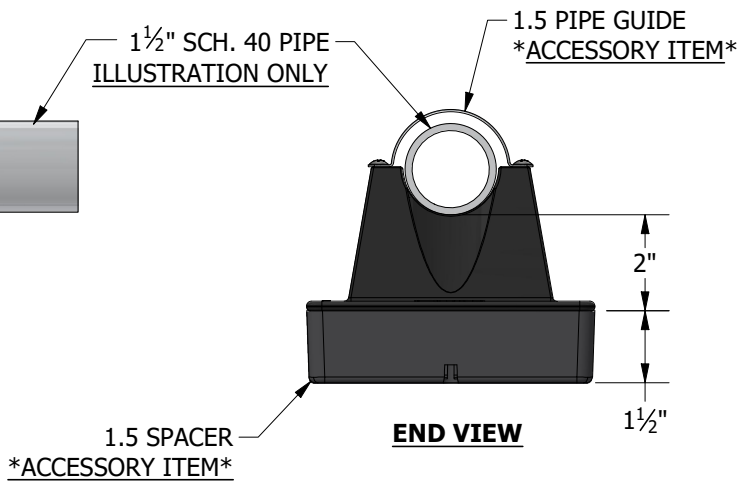
TOP VIEW



ISOMETRIC VIEW



SIDE VIEW



END VIEW

ACCESSORIES

- 1.5 pipe guide
- 1.5 spacer
- 12x12 Support pad
- Eternabond® 2-sided tape

PRODUCT DESCRIPTION

A pipe support used to support roof-mounted gas pipes, electrical conduit, solar piping and other mechanical piping. Unique design absorbs thermal expansion and contraction of pipes thus preventing damage to the roof membrane. Pipes rest in a 'U' shaped cradle situated in a polycarbonate resin base.

KEY INFORMATION

- Support is optimized to carry up to a 1-1/2" pipe.
- Maximum pipe OD for the support is 1.9".
- Pipe clearance is 2"
- 1.5 Spacer accessory adds an additional 1-1/2" of height per spacer. Manufacturer recommends a maximum of (2) spacer be used.
- Maximum load is 72 lbs. based on 3.0 psi to the roof deck. Even load required.
- Unit Weight: 0.34 lbs.
- 48 per case (22 lbs.)
- Recommended spacing is not to exceed 7' centers depending upon the load.
- 20 Year Warranty

MATERIAL INFORMATION

- Base Material: Polycarbonate