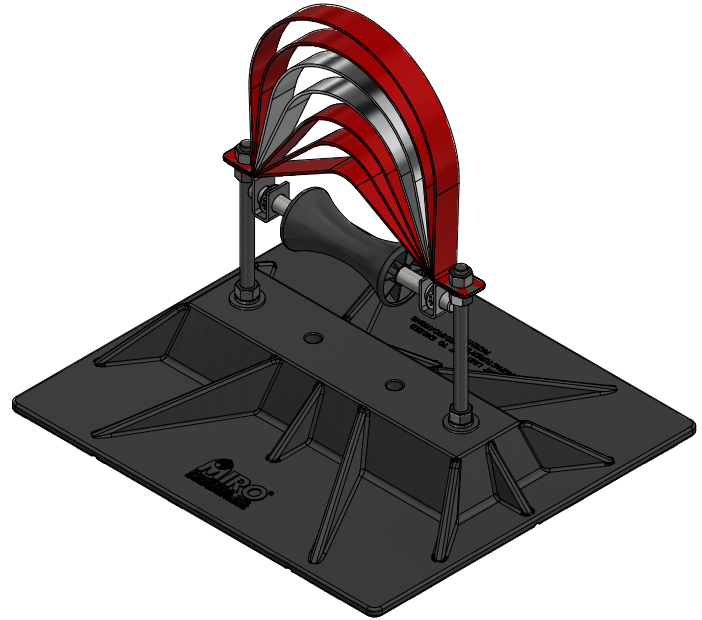


FRONT VIEW



ISOMETRIC VIEW

PRODUCT DESCRIPTION

MIRO Industries 6-RAH Pipe Guides are designed specifically for the 5-RAH and 6-RAH series supports. All pipe guides will ship separately and need to be installed on site.

It is important to note that pipe guides should not be rigidly attached to the actual pipe that is placed on the pipe stand, thus allowing for expansion and contraction to occur within the pipestand.

KEY INFORMATION

- 6-RAH Pipe Guides can be used on all 5-RAH and 6-RAH Supports.
- Designed to support up to a 6" bare schedule 40 steel pipe.
- Pipe strap is made of 10 ga. aluminum 5052 alloy temper H32 per ASTM B-209-0.
- Custom size pipe guides can be manufactured as requested.

PARTS LIST		
ITEM	PART NUMBER	DESCRIPTION
1*	PG 6-RAH 2 - 10 ga. ALUM	2 inch Pipe Guide for 5 & 6 RAH Series - 10 ga. Alum
2*	PG 6-RAH 3 - 10 ga. ALUM	3 inch Pipe Guide for 5 & 6 RAH Series - 10 ga. Alum
3*	PG 6-RAH 4 - 10 ga. ALUM	4 inch Pipe Guide for 5 & 6 RAH Series - 10 ga. Alum
4	PG 6-RAH 5 - 10 ga. ALUM	5 inch Pipe Guide for 5 & 6 RAH Series - 10 ga. Alum
5	PG 6-RAH 6 - 10 ga. ALUM	6 inch Pipe Guide for 5 & 6 RAH Series - 10 ga. Alum
6*	PG 6-RAH 7.5 - 10 ga. ALUM	7.5 inch Pipe Guide for 5 & 6 RAH Series - 10 ga. Alum
7*	PG 6-RAH 8.5 - 10 ga. ALUM	8.5 inch Pipe Guide for 5 & 6 RAH Series - 10 ga. Alum

*Custom item, lead times may vary