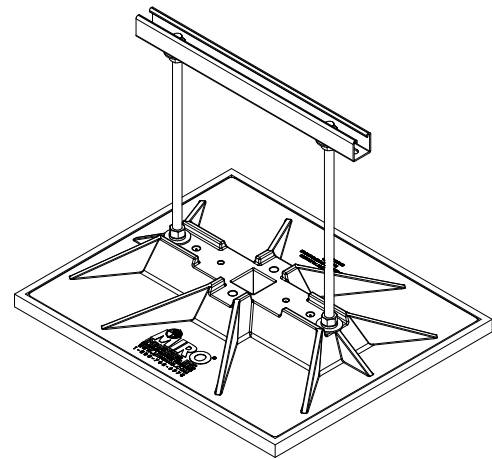
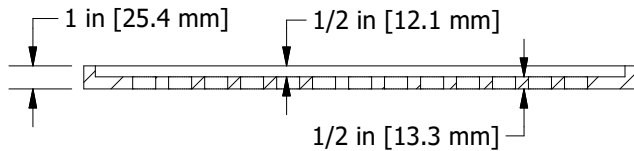


TOP VIEW



**MIRO 20-BASE STRUT-18 (NOT INCLUDED)
ON A 19x23 SUPPORT PAD**



SECTION VIEW

PRODUCT DESCRIPTION

Custom support pad designed specifically to fit the MIRO 19"x23" [482.6x584.2 mm] polycarbonate non-penetrating base. The slip resistant pad is designed with a small lip to hold the base to the pad and reduce movement on the rooftop. The holes in the pad saves weight and allows for venting and drainage. The pad is heat molded using 100% recycled rubber.

KEY INFORMATION

Custom fitted support pad for the MIRO 19"x23" [482.6x584.2 mm] polycarbonate base.

To be used with MIRO Models:

- 10-RAH-8 and 16
- 20-Base Strut-4, 8 & 18
- 10-H Series (qty: 2 min)
- 10-DS Series (qty: 2 min)
- HD Mechanical Supports (qty: 4 min)
- Bridge Crossovers, Walkway, Service Platforms & Ramps (qty: varies)