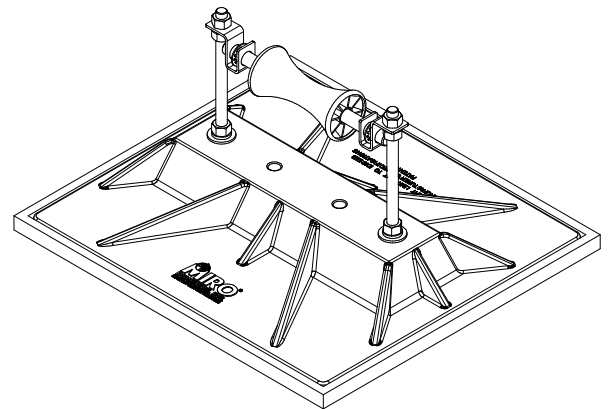
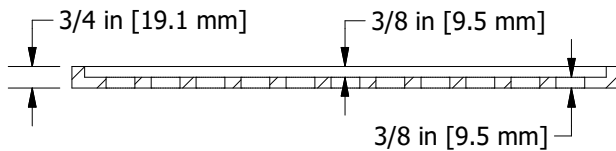


**TOP VIEW**



**MIRO 6-RAH-8 (NOT INCLUDED)  
ON 16x18 SUPPORT PAD**



**SECTION VIEW**

**PRODUCT DESCRIPTION**

Custom support pad designed specifically to fit the MIRO 16"x18" [406.4x457.2 mm] polycarbonate non-penetrating base. The slip resistant pad is designed with a small lip to hold the base to the pad and reduce movement on the rooftop. The holes in the pad saves weight and allows for venting and drainage. The pad is heat molded using 100% recycled rubber.

**KEY INFORMATION**

Custom fitted support pad for the MIRO 16"x18" [406.4x457.2 mm] polycarbonate base.

To be used with MIRO Models:

- 6-RAH-8 & 12
- 16-Base Strut-8 & 12
- 8-H Series (qty: 2 min)
- 16-H Series (qty: 4 min)
- 8-DS Series (qty: 2 min)
- HD Mechanical Supports (qty: 4 min)
- Bridge Crossovers, Walkway, Service Platforms & Ramps (qty: varies)