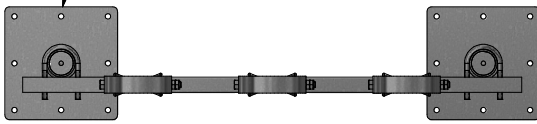
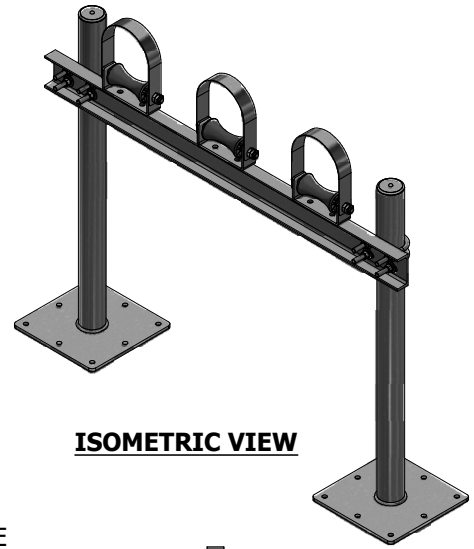




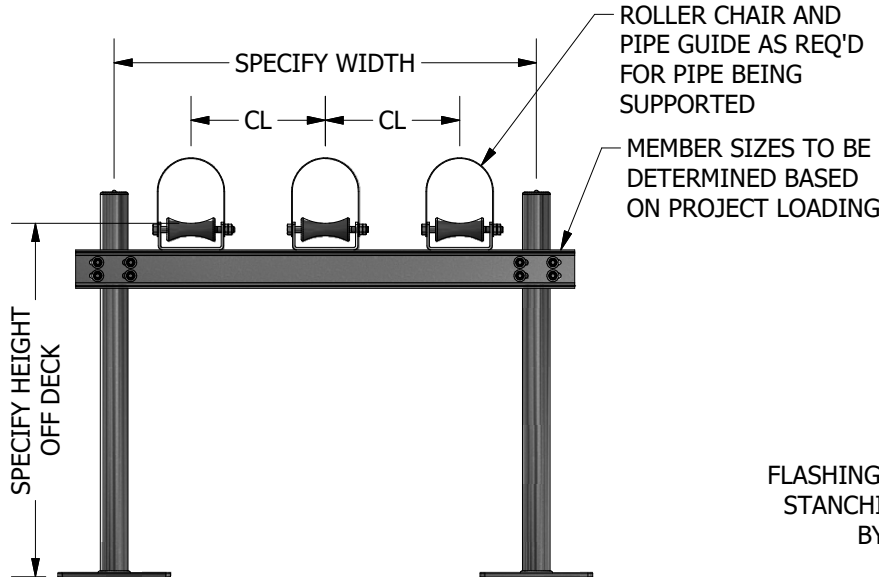
STANCHION BASE SIZE AND ANCHORAGE REQUIREMENTS TO BUILDING STRUCTURE TO MEET JOB SPECIFIC APPLICATIONS



**TOP VIEW**



**ISOMETRIC VIEW**



**FRONT VIEW**

**SIDE VIEW**

**PRODUCT DESCRIPTION**

Stanchioned pipe supports are designed for single or multiple pipes, single tier or multiple tier and for various heights.

To obtain pricing, call your local representative and have the following information available:

1. Type of pipe being supported (Steel Sch. 40)
2. Pipe size (trade size)
3. Pipe contents (liquid or gas)
4. Center line distance between pipes (CL)
5. Clearance height above roof deck (HOD)
6. Pipe insulation thickness.
7. Rooftop pipe layout drawing
8. Project Address
9. Roof framing plan
10. Cross section drawing of roof construction
  - a. Type of deck
  - b. Roof insulation thickness
  - c. Membrane or finished surface
11. MIRO Project Design Requirements sheet.

**KEY INFORMATION**

- Stanchioned pipe supports are designed and engineered to project specific requirements provided to MIRO Industries.
- MIRO Industries, Inc. is not responsible for the design or evaluation of the building structure or the design of the components being supported.
- Deflection in the horizontal header bar is not to exceed the span length by 360 or 1/8".
- Stanchioned pipe supports allow adjustable height as desired or required by the code or roof system. Purchasers must specify desired heights and multiple pipe centerline spacing upon quote requests and ordering of stanchioned pipe supports.
- Contractor is to ensure each pipestand is properly elevated to even distribute loading at all pipestands.
- All metal parts are hot dip galvanized or stainless steel

MIRO stanchioned supports are engineered to meet project specific design requirements. Stanchioned supports shall only be used on the project they are designed for. Supports are designed to meet loading requirements per ASCE-7 "Minimum Design Loads for Buildings and Other Structures" and locally adopted building codes.

The information contained in this drawing is the sole property of MIRO Industries, Inc. Any reproduction in part or as a whole without written permission of MIRO Industries, Inc. is prohibited.

DATE:  
JAN 2019

(#)RC STANCHION SUPPORT - CHANNEL