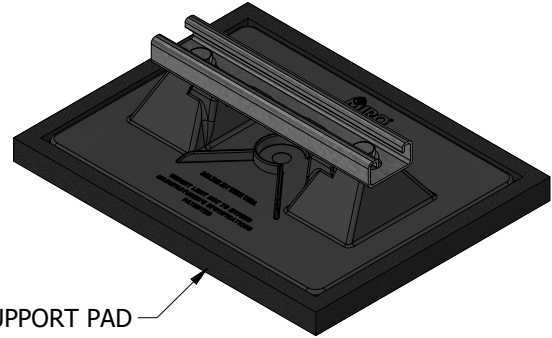
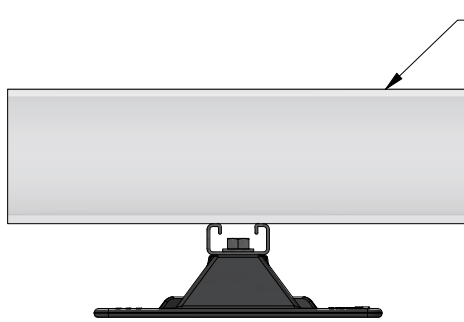


**TOP VIEW**



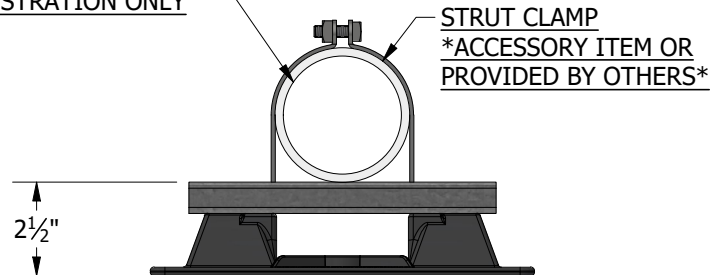
7 1/2" x 10" SUPPORT PAD  
\*ACCESSORY ITEM\*

**ISOMETRIC VIEW**



**SIDE VIEW**

PIPE/CONDUIT FOR ILLUSTRATION ONLY



STRUT CLAMP  
\*ACCESSORY ITEM OR PROVIDED BY OTHERS\*

**END VIEW**

**ACCESSORIES**

- Strut Clamp - Order to Pipe O.D.
- 7 1/2" x 10" Support pad
- Eternabond® 2-sided tape

**PRODUCT DESCRIPTION**

A pipe support with "strut" used to support roof-mounted electrical conduit, solar piping, gas pipes and other mechanical piping. Pipes rest on a 8" length of strut which is mounted on the base. The pipes can be fastened by using the appropriate pipe clamp.

**KEY INFORMATION**

- Designed to support conduit (ganged) cable trays or other mechanical piping.
- Fixed height of 2 1/2", even load required, maximum load is 172 lbs. (Max load based on 3.0 psi to the roof deck)
- Unit weight: 1.55 lbs.
- 12 per case (21 lbs.)
- Recommended spacing is not to exceed 10' centers depending upon the load. Make certain each support is properly elevated to evenly distribute weight at all support locations.

**MATERIAL INFORMATION**

- Base Material: Polycarbonate
- 13/16"x1-5/8" 14 ga. HDG slotted strut
- HDG hardware