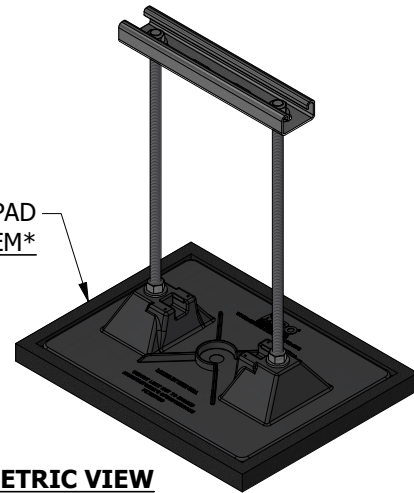
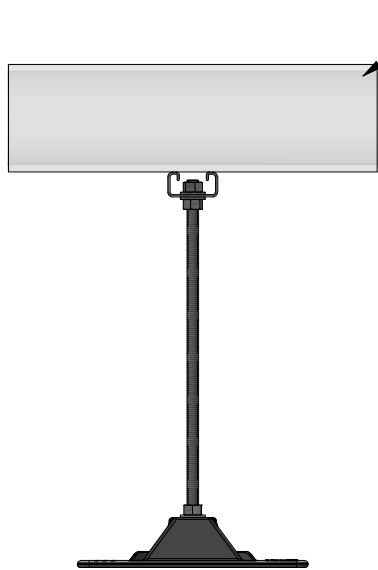


TOP VIEW

7-1/2x10 SUPPORT PAD
ACCESSORY ITEM

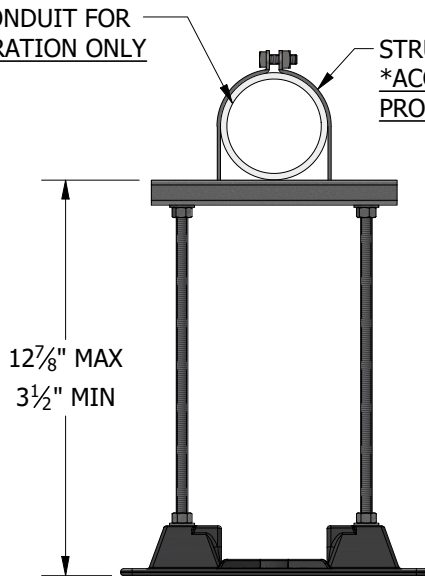


ISOMETRIC VIEW



SIDE VIEW

PIPE/CONDUIT FOR ILLUSTRATION ONLY



STRUT CLAMP
ACCESSORY ITEM OR PROVIDED BY OTHERS

12⁷/₈" MAX
3¹/₂" MIN

END VIEW

ACCESSORIES

- Strut Clamp - Order to Pipe O.D.
- 7¹/₂" x 10" Support pad
- Eternabond® 2-sided tape

PRODUCT DESCRIPTION

A pipe support with "strut" used to support roof-mounted electrical conduit, solar piping, gas pipes and other mechanical piping. Pipes rest on a 8" length of strut which is mounted on the base. The pipes can be fastened by using the appropriate pipe clamp.

KEY INFORMATION

- Designed to support conduit (ganged) cable trays or other mechanical piping.
- Adjustable from the factory set maximum height of 12-7/8" down to a minimum height of 3-1/2"
- Maximum load is 172 lbs. (3.0 psi) Make certain each support is properly elevated to evenly distribute weight at all support locations.
- Unit Weight: 2.34 lbs.
- 7 per case (17 lbs. per case)
- Recommended spacing is not to exceed 10' centers depending upon the load.

MATERIAL INFORMATION

- Base Material: Polycarbonate
- 3/8"-16 304 SS All-Thread
- 13/16"x1-5/8" 14 ga. HDG slotted strut
- HDG hardware