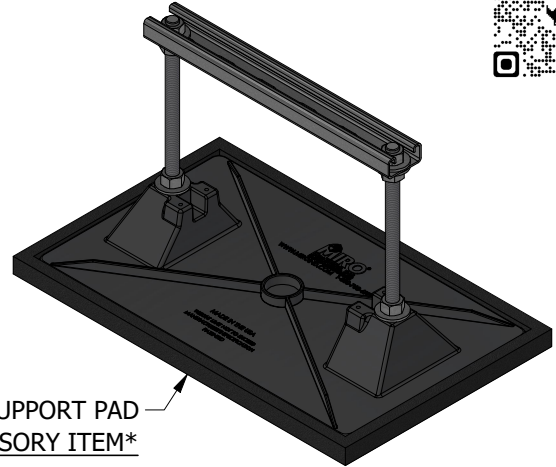
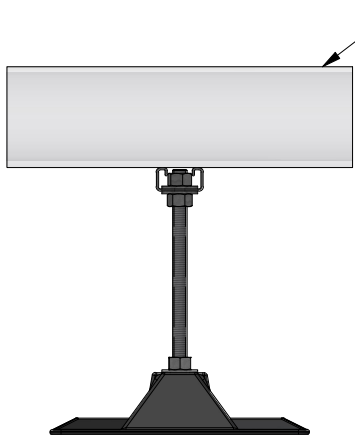


TOP VIEW



9" x 15 1/4" SUPPORT PAD
ACCESSORY ITEM

ISOMETRIC VIEW

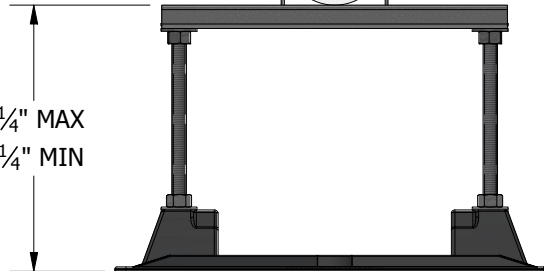


SIDE VIEW

PIPE OR CONDUIT
ILLUSTRATION ONLY

9 1/4" MAX
4 1/4" MIN

STRUT CLAMP
*ACCESSORY ITEM OR
PROVIDED BY OTHERS*



END VIEW

ACCESSORIES

- Strut Clamp - Order to Pipe O.D.
- 9" x 15 1/4" Support pad
- Eternabond® 2-sided tape

PRODUCT DESCRIPTION

A pipe support with "strut" used to support roof-mounted electrical conduit, solar piping, gas pipes and other mechanical piping. Pipes rest on a 12" length of strut which is mounted on the base. The pipes can be fastened by using the appropriate pipe clamp.

KEY INFORMATION

- Designed to support conduit (ganged) cable trays or other mechanical piping.
- Adjustable from the factory set maximum height of 9-1/4" down to a minimum height of 4-1/4"
- Maximum load is 335 lbs. (3.0 psi) Make certain each support is properly elevated to evenly distribute weight at all support locations.
- Unit Weight: 3.55 lbs.
- 8 per case (31 lbs. per case)
- Recommended spacing is not to exceed 10' centers depending upon the load.

MATERIAL INFORMATION

- Base Material: Polycarbonate
- 1/2"-13 304 SS All-Thread
- 13/16"x1-5/8" 14 ga. HDG slotted strut
- HDG hardware

The information contained in this drawing is the sole property of MIRO Industries, Inc. Any reproduction in part or as a whole without written permission of MIRO Industries, Inc. is prohibited.

DATE:

JAN 2022

12-BASE STRUT-8