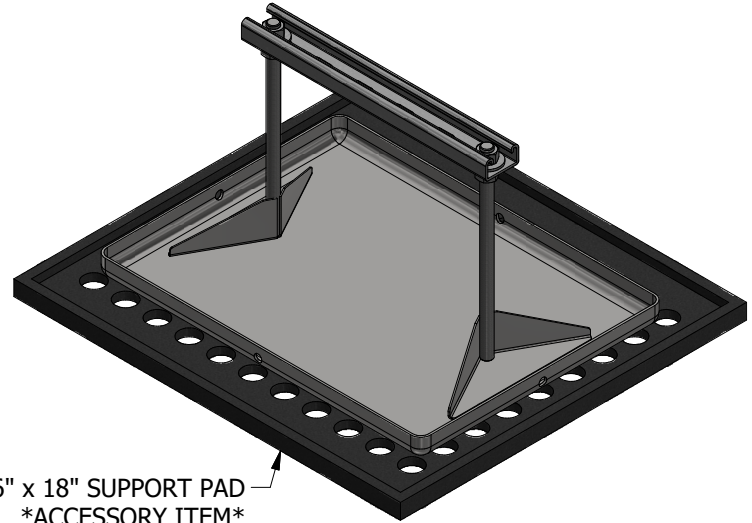
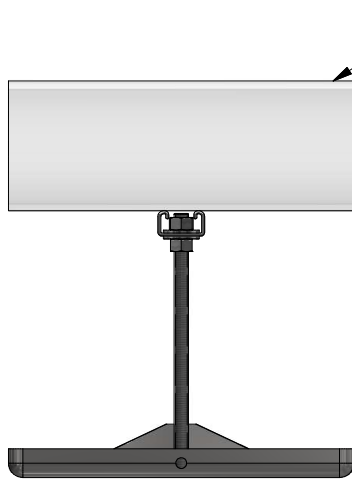


TOP VIEW



16" x 18" SUPPORT PAD
ACCESSORY ITEM

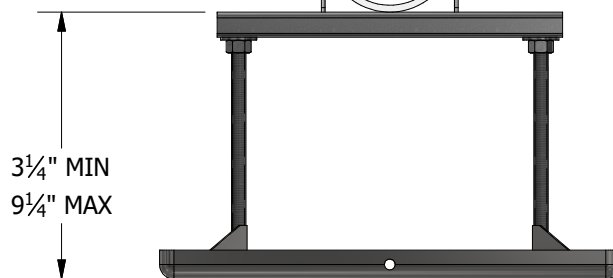
ISOMETRIC VIEW



SIDE VIEW

4" SCH. 40 PIPE
ILLUSTRATION ONLY

STRUT CLAMP
ACCESSORY ITEM OR PROVIDED BY OTHERS



3 1/4" MIN
9 1/4" MAX

END VIEW

ACCESSORIES

- Strut Clamp - Order to Pipe O.D.
- 16" x 18" Support pad
- Eternabond® 2-sided tape

PRODUCT DESCRIPTION

A pipe support with "strut" used to support roof-mounted electrical conduit, solar piping, gas pipes and other mechanical piping. Pipes rest on a 12" length of strut which is mounted on the base. The pipes can be fastened by using the appropriate pipe clamp.

KEY INFORMATION

- Designed to support conduit (ganged) cable trays or other mechanical piping
- Adjustable from the factory set maximum height of 9-1/4" down to a minimum height of 3-1/4"
- Maximum load is 524 lbs. (3.0 psi) Make certain each support is properly elevated to evenly distribute weight at all support locations
- Unit Weight: 9.76 lbs.
- Recommended spacing is not to exceed 10' centers depending upon the load
- Base Material: Stainless steel
- All metal parts are either stainless steel or hot-dip galvanized