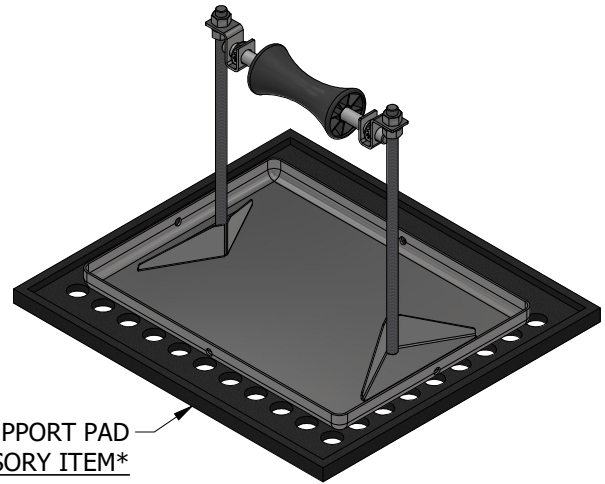
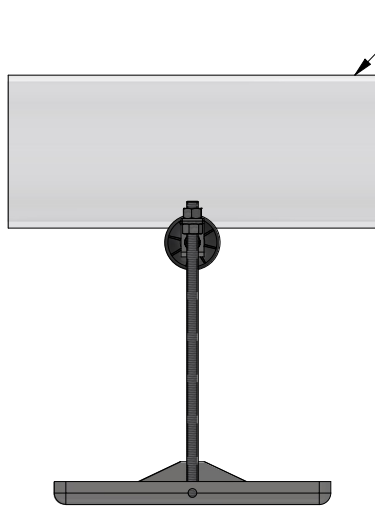


TOP VIEW



16" x 18" SUPPORT PAD
ACCESSORY ITEM

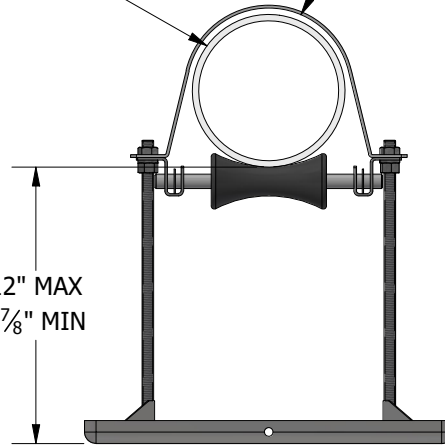
ISOMETRIC VIEW



SIDE VIEW

6" SCH. 40 PIPE
ILLUSTRATION ONLY

6-RAH PIPE GUIDE
ACCESSORY ITEM



12" MAX
2⁷/₈" MIN

FRONT VIEW

ACCESSORIES

- Refer to 6-RAH Pipe Guide specification for available sizes.
- 16" x 18" Support pad
- Eternabond® 2-sided tape

PRODUCT DESCRIPTION

A "roller-bearing" pipe support used to support roof-mounted gas pipes, electrical conduit, solar piping and other mechanical piping. Unique design absorbs thermal expansion and contraction of pipes thus preventing damage to the roof membrane. Pipes rest on a self-lubricating polycarbonate resin axle and roller.

KEY INFORMATION

- Optimally designed for a 6" pipe.
- Maximum pipe OD (with insulation) is 8-1/2".
- Adjustable from the factory set maximum height of 12" down to a minimum height of 2-7/8".
- Maximum load is 524 lbs. (3.0 psi) Make certain each pipe support is properly elevated to evenly distribute weight at all pipe support locations.
- Unit weight: 10.20 lbs.
- Recommended spacing is not to exceed 10' centers depending upon the load.

MATERIAL INFORMATION

- Base Material: 16 ga. 304 SS
- All-Thread: 1/2"-13 SS
- Axle: 5/8" SS Rod
- Roller Material: Polycarbonate
- Hardware: HDG

The information contained in this drawing is the sole property of MIRO Industries, Inc. Any reproduction in part or as a whole without written permission of MIRO Industries, Inc. is prohibited.

DATE:
JAN 2022

6-RAH-12 SS