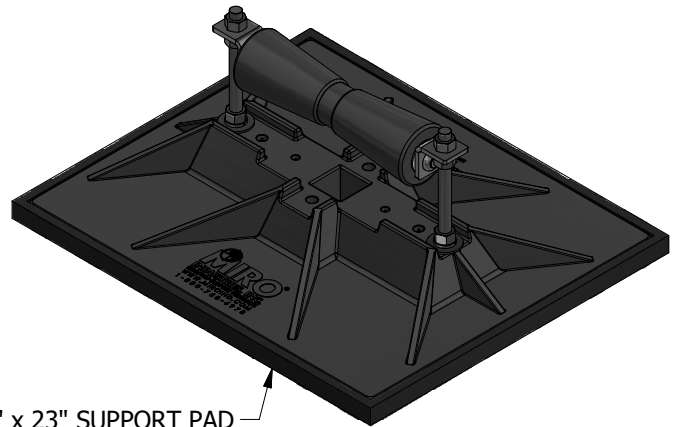
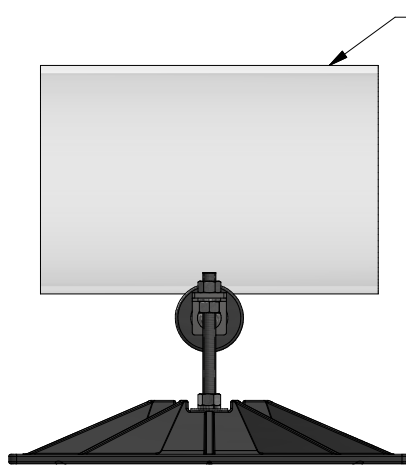


TOP VIEW



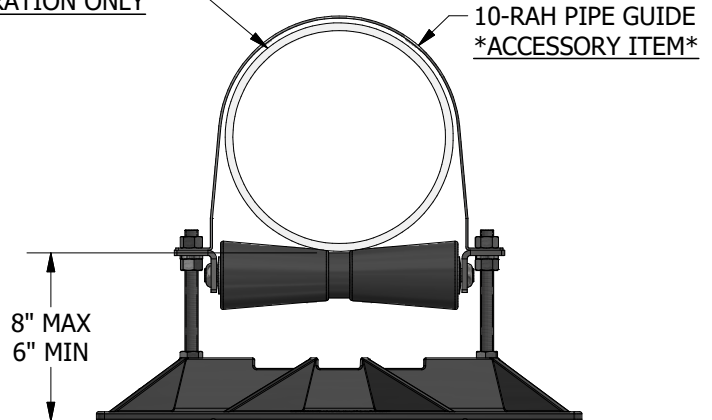
19" x 23" SUPPORT PAD
ACCESSORY ITEM

ISOMETRIC VIEW



SIDE VIEW

10" SCH. 40 PIPE
ILLUSTRATION ONLY



END VIEW

10-RAH PIPE GUIDE
ACCESSORY ITEM

8" MAX
6" MIN

ACCESSORIES

- 10-RAH Pipe Guides are built to order.
- 19" x 23" Support pad
- Eternabond® 2-sided tape.

PRODUCT DESCRIPTION

A "roller-bearing" pipe support used to support roof-mounted gas pipes, electrical conduit, solar piping and other mechanical piping.

Unique design absorbs thermal expansion and contraction of pipes thus preventing damage to the roof membrane. Pipes rest on a rubber roller and a stainless steel axle.

KEY INFORMATION

- Optimally designed for a 10" pipe.
- Maximum pipe OD (with insulation) is 13".
- Adjustable from the factory set maximum height of 8" down to a minimum height of 6".
- Maximum load is 960 lbs. (3.0 psi) Make certain each pipe support is properly elevated to evenly distribute weight at all pipe support locations.
- Unit weight: 14.56 lbs.
- Recommended spacing is not to exceed 10' centers depending upon the load.
- Base Material: Polycarbonate
- Roller Material: Composite Rubber
- 5/8" all-thread and axle are stainless steel
- All other metal parts are hot-dip galvanized

The information contained in this drawing is the sole property of MIRO Industries, Inc. Any reproduction in part or as a whole without written permission of MIRO Industries, Inc. is prohibited.

DATE:
JAN 2019

10-RAH-8