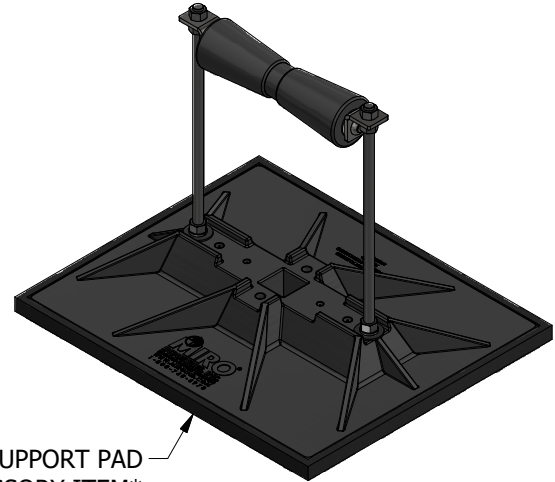
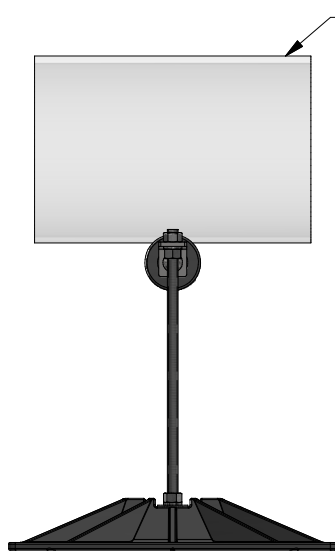


TOP VIEW



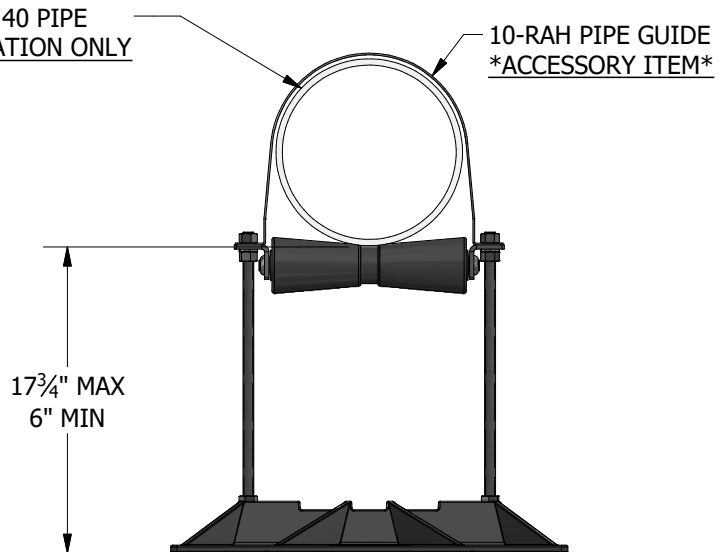
19" x 23" SUPPORT PAD
ACCESSORY ITEM

ISOMETRIC VIEW



SIDE VIEW

10" SCH. 40 PIPE
ILLUSTRATION ONLY



END VIEW

ACCESSORIES

- 10-RAH Pipe Guides are built to order.
- 19" x 23" Support pad
- Eternabond® 2-sided tape.

PRODUCT DESCRIPTION

A "roller-bearing" pipe support used to support roof-mounted gas pipes, electrical conduit, solar piping and other mechanical piping.

Unique design absorbs thermal expansion and contraction of pipes thus preventing damage to the roof membrane.

Pipes rest on a rubber roller and a stainless steel axle.

KEY INFORMATION

- Optimally designed for a 10" pipe.
- Maximum pipe OD (with insulation) is 13".
- Adjustable from the factory set maximum height of 17-3/4" down to a minimum height of 6".
- Maximum load is 803 lbs. (All-thread capacity) Make certain each pipe support is properly elevated to evenly distribute weight at all pipe support locations.
- Unit weight: 15.96 lbs.
- Recommended spacing is not to exceed 10' centers depending upon the load.
- Base Material: Polycarbonate
- Roller Material: Composite Rubber
- 5/8" all-thread and axle are stainless steel
- All other metal parts are hot-dip galvanized