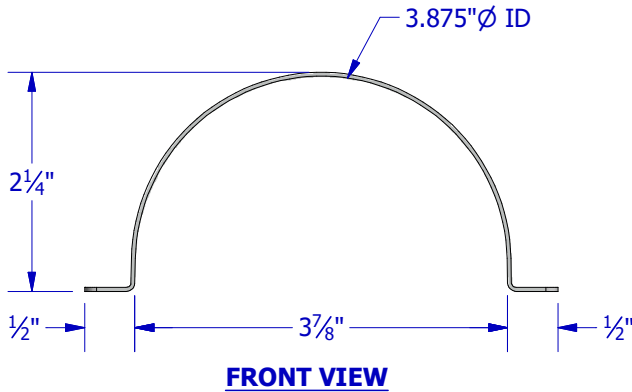
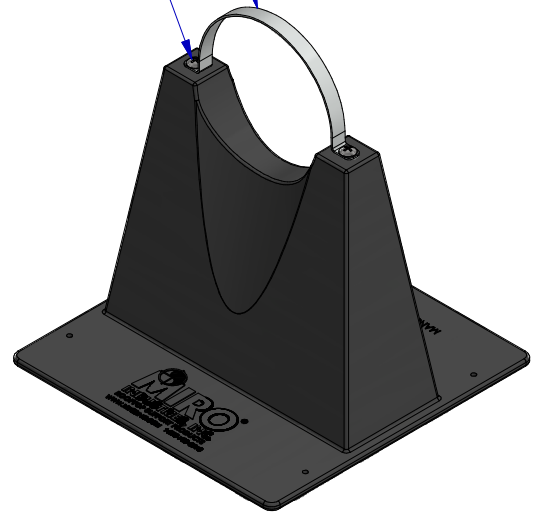
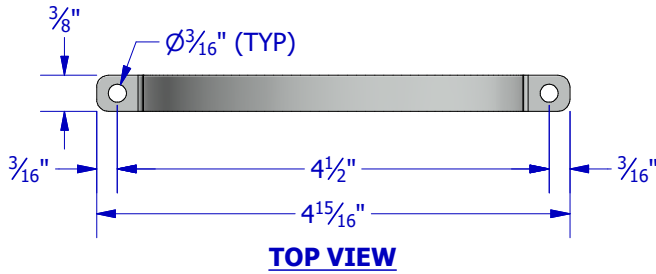




THE 3.0 PIPE GUIDE IS AVAILABLE AS AN ACCESSORY ITEM TO THE 3.0 BASE SUPPORT.

#8 PHILLIPS STAINLESS SCREWS INCLUDED WITH THE PIPE GUIDE



Product Description

MIRO Industries pipe guides are designed to attach to MIRO Industries pipe supports allowing the pipe to freely expand and contract on the support but also maintain placement of the pipe on the stand. All pipe guides will ship separately and need to be installed on site. Pipe guides are not intended to be rigidly attached to or bind the pipe from natural movement of the pipe.

Strap material is a 18 ga. (.040) aluminum 5052 alloy temper H32 ASTM B-209-0. Included with the 1.5, 3.0 and 3-R pipe guides are #8 stainless steel screws that are to be used to mount through pre-punched holds in the strap down into the polycarbonate pipe supports. This can be done by using a phillips head screwdriver.