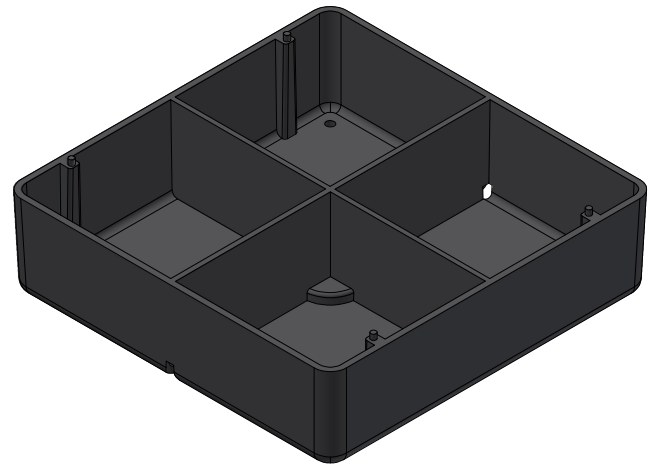
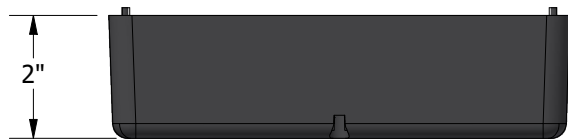
**TOP VIEW****ISOMETRIC VIEW****FRONT VIEW****Product Description**

- The Model 3-R Spacer is 7-1/2" square with gently rounded edges to prevent gouging the roof.
- The 3-R Spacer accessory adds an additional 2" of height per spacer.
- Manufacturer recommends a maximum of (2) spacer be used.
- Four drainage ports are provided to prevent ponding within the device.
- Unit Weight: 0.77 lbs.
- 24 per case (18lbs.)

MATERIAL INFORMATION

- Base Material: Polycarbonate