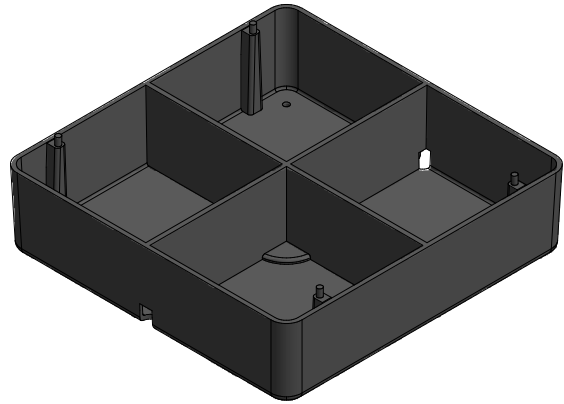


TOP VIEW



ISOMETRIC VIEW



SIDE VIEW

Product Description

The Model 1.5 Spacer is 6" square and the base is gently rounded to prevent gouging the roof. The outer edges are raised 1½" and increased elevations may be achieved by stacking Model 1.5 on 1 or 2 spacers, each with a height of 1½". Four drainage ports are provided to prevent ponding within the device. The dimensional area resting on the roof is 5⅞" square, and 34.52 square inches are in contact with the roof.