



# RAMP QUOTE TEMPLATE

Job Name: \_\_\_\_\_

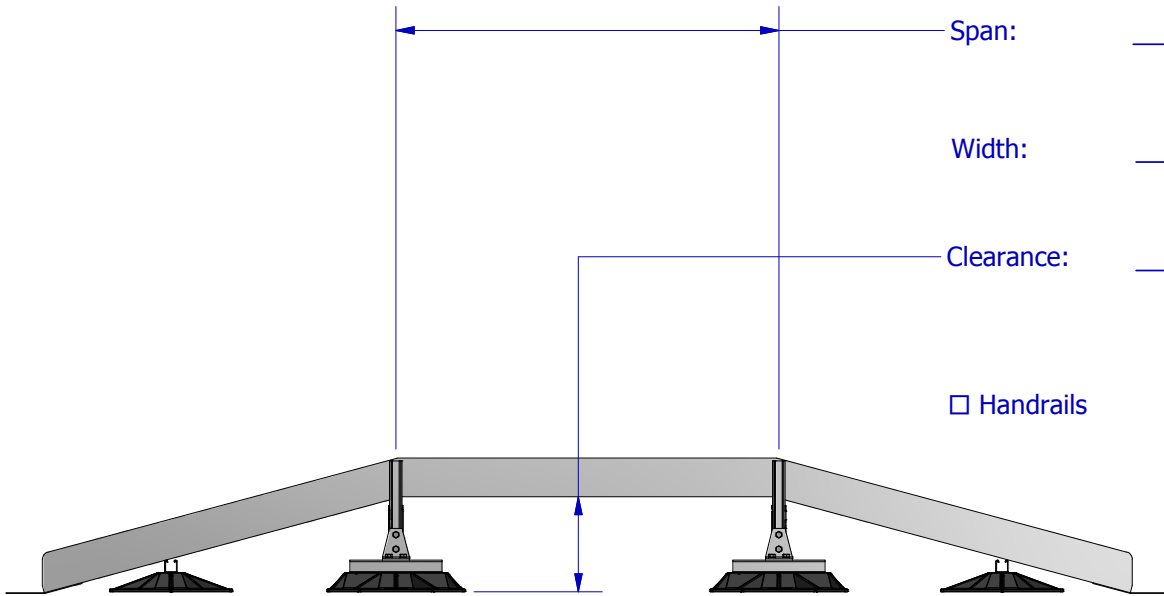
Ramp Label: \_\_\_\_\_

Span: \_\_\_\_\_

Width: \_\_\_\_\_

Clearance: \_\_\_\_\_

Handrails



## PRODUCT DESCRIPTION

The MIRO BRIDGE CROSSOVERS ARE CUSTOM DESIGNED IN-HOUSE TO MEET PROJECT SPECIFIC NEEDS AND CODE REQUIREMENTS. BASES AND MATERIAL ARE SELECTED TO MEET DESIGN CONSTRAINTS AND SPECIFICATIONS.

ALL CROSSOVER STRUCTURES ARE DESIGNED TO MEET LOADING CRITERIA PER ASCE 7 - MINIMUM DESIGN LOADS FOR BUILDINGS AND OTHER STRUCTURES AND OSHA REQUIREMENTS.

## INSTALLATION PROCEDURES

1. TYPICAL MIRO BRIDGE CROSSOVER, WALKWAY, SERVICE PLATFORM AND RAMP SYSTEMS ARE SHIPPED PARTIALLY ASSEMBLED. (FIELD ASSEMBLY IS REQUIRED)
2. USING PROVIDED HARDWARE AND INCLUDED DRAWINGS TO BUILD A SUITABLE SUPPORT.
3. CLEAR ALL LOOSE GRAVEL AND AGGREGATE AWAY FROM ROOF-TOP SITE.
4. PLACE MIRO BASE ON A WALK PAD OR SLIP PAD FOR ADDITIONAL PROTECTION
5. MAKE SURE TO CENTER EACH UNIT, AND MAKE NECESSARY ADJUSTMENTS SO THAT EACH FOOT CARRIES AN EVEN LOAD.

## ACCESSORIES

- Support pad or deck plate
- Eternabond® 2-sided tape