



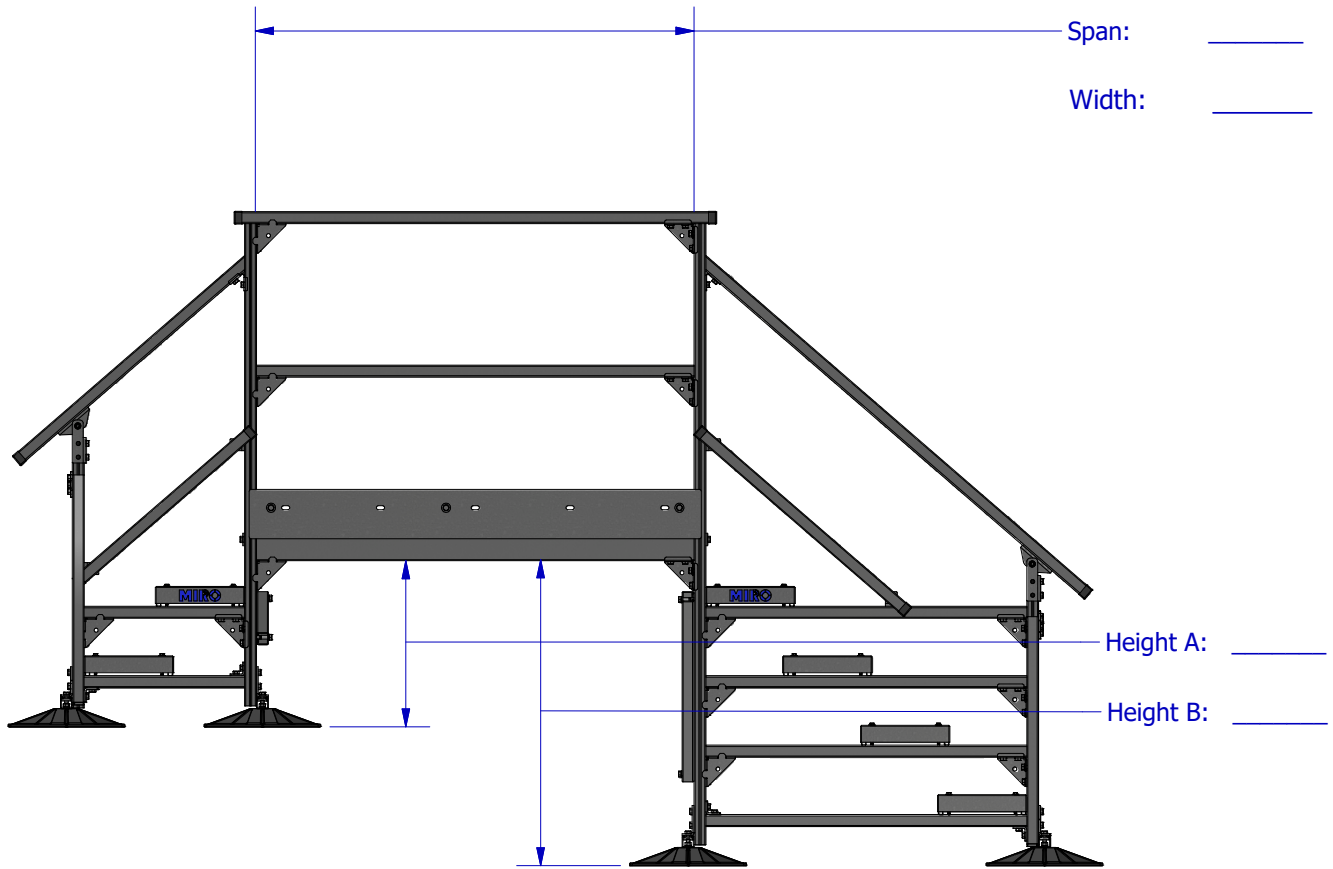
CROSSOVER QUOTE TEMPLATE

Job Name: _____

Crossover Label: _____

Span: _____

Width: _____



PRODUCT DESCRIPTION

MIRO BRIDGE CROSSOVERS ARE CUSTOM DESIGNED IN-HOUSE TO MEET PROJECT SPECIFIC REQUIREMENTS. BASES AND MATERIAL ARE SELECTED TO MEET DESIGN CONSTRAINTS AND SPECIFICATIONS. FREE FLOATING CROSSOVER STRUCTURES ARE DESIGNED TO MEET LIVE LOAD CRITERIA PER OSHA REQUIREMENTS. POSITIVE ATTACHMENT OF CROSSOVER STRUCTURES TO THE BUILDING STRUCTURE MAY BE REQUIRED. INSTALLING CONTRACTOR IS RESPONSIBLE TO ENSURE CODE COMPLINACE.

INSTALLATION PROCEDURES

1. TYPICAL MIRO BRIDGE CROSSOVER, WALKWAY, SERVICE PLATFORM AND RAMP SYSTEMS ARE SHIPPED PARTIALLY ASSEMBLED. (FIELD ASSEMBLY IS REQUIRED)
2. USE PROVIDED HARDWARE AND DRAWINGS TO ASSEMBLE THE CROSSOVER.
3. CLEAR ALL LOOSE GRAVEL AND AGGREGATE AWAY FROM ROOF-TOP SITE.
4. PLACE MIRO BASE ON A WALK PAD OR SLIP PAD FOR ADDITIONAL PROTECTION.
5. MAKE SURE TO CENTER EACH UNIT AND MAKE NECESSARY ADJUSTMENTS SO THAT EACH FOOT CARRIES AN EVEN LOAD.

ACCESSORIES

- SUPPORT PADS

This document, attachments, and all of the information therein are the property of MIRO Industries, Inc. The information contained is loaned, subject to return upon demand, and is not to be used directly or indirectly in any way detrimental to our interest. Further the information contained therein shall not be used, in whole or in part, except when allowed by written authorization from MIRO Industries, Inc. © MIRO INDUSTRIES, INC. 2003-2014