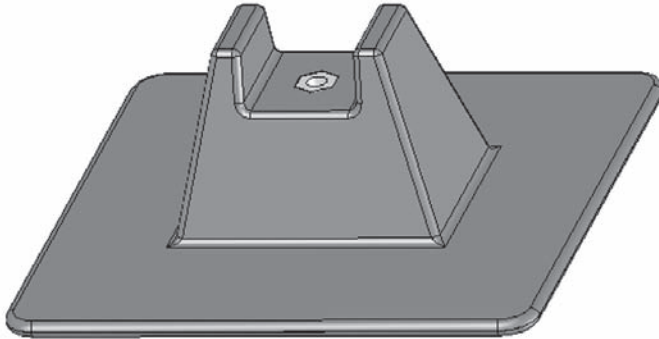


## Specification and Data Sheet **M8UFS**



**Pipe Support  
Model No. M8UFS**

### **BASE MATERIAL**

Polycarbonate Plastic (UV Resistant)

### **SIZE**

The deck base is 8" x 8" with a height of 3". Coupler housing accepts 3/8" – 16" all-thread. Structural housing accepts max 1-5/8" x 1-5/8" UNI STRUT®.

### **MAX PIPE CLEARANCE**

M8UFS elevates pipe above the roof membrane from a low of 2" up to 12".

### **MAX LOAD WEIGHT**

Maximum load weight may not exceed 200 lbs. per support.

### **SPACING**

Manufacturer's recommended spacing should not exceed 10 foot centers depending upon the load. Do not exceed 200 lbs. load weight and make certain each support is adjusted to even the load with all other supports.

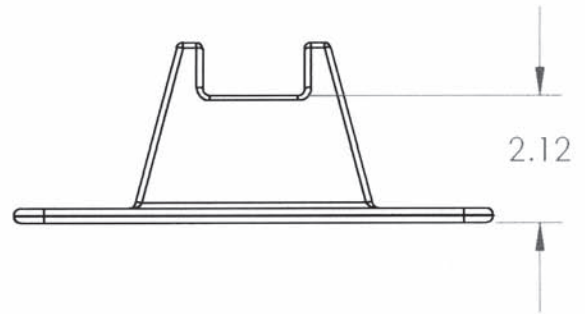
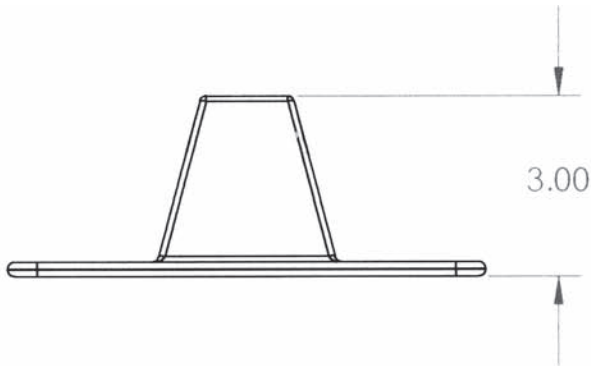
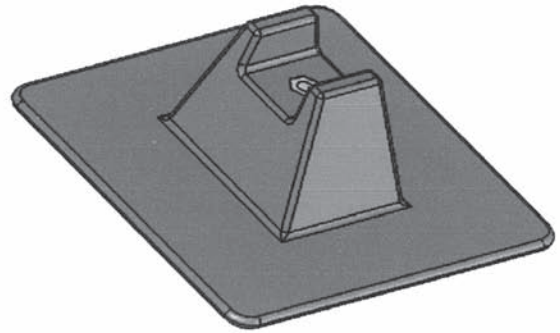
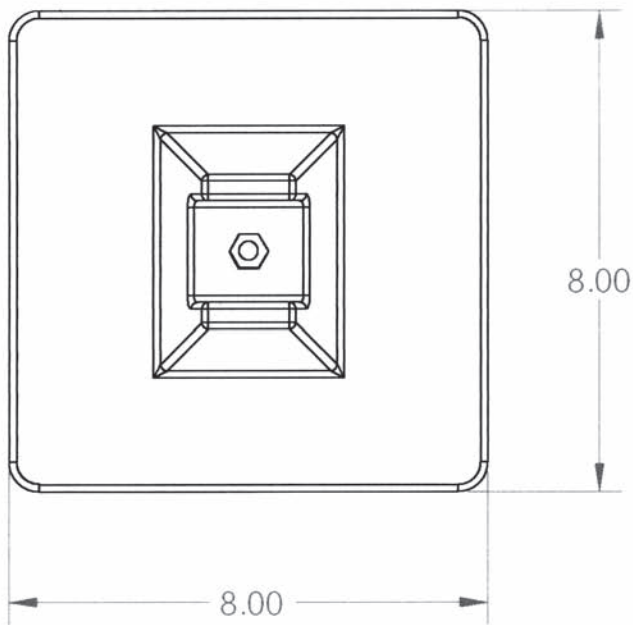
## **INSTALLATION PROCEDURES**

1. All Uni-Flex systems are shipped un-assembled (field assembly required).
2. Remove hardware from box and use all other necessary components to build a suitable support.
3. Clear all loose gravel and aggregate away from roof top support site.
4. Place Uni-Flex base on a walk pad or slip pad for added protection.
5. Make sure to center each unit, and make necessary adjustments so that each unit carries an even load. Load not to exceed 200 lbs per unit.

This document, attachments, and all of the information therein are the property of MIRO Industries, Inc. The information contained is loaned, subject to return upon demand, and is not to be used directly or indirectly in any way detrimental to our interest. Further, the information contained therein shall not be used, in whole or in part, except when allowed by written authorization from MIRO Industries, Inc.

Copyright MIRO Industries, Inc. 2003.

**M8UFS**



This document, attachments, and all of the information therein are the property of MIRO Industries, Inc. The information contained is loaned, subject to return upon demand, and is not to be used directly or indirectly in any way detrimental to our interest. Further, the information contained therein shall not be used, in whole or in part, except when allowed by written authorization from MIRO Industries, Inc.

Copyright MIRO Industries, Inc. 2003.

## 8-Uni Flex Support

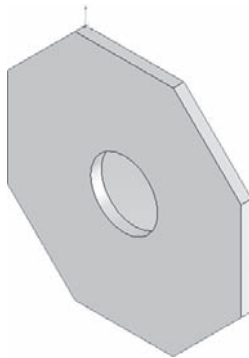


**NAME**  
PAN HEAD SCREW (SS)  
3/8" – 16

**MATERIAL**  
304 Stainless Steel-ASTM #240/480

**ASSEMBLY REQUIREMENTS**  
All hardware requires 8 foot pounds of torque when tightening.

**MODEL PAN HEAD SCREW**

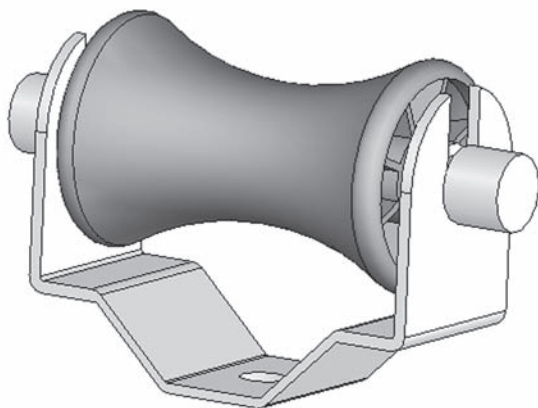


**NAME**  
OCTAGON WASHER (SS)

**MATERIAL**  
14ga-304 Stainless Steel-ASTM #240/480  
Hole is 3/8" O.D.

\*This washer is required when assembling UNI STRUT® to the UNI FLEX base.

**MODEL OCTAGON WASHER**



**NAME**  
MIRO ROLLER BRACKET SUPPORT

**MATERIAL**  
The 3" roller is made of polycarbonate plastic. The roller rod is a 6/6 nylon. All other metal is .125 AL 5052-H32 ASTM #B209/QQ-A-25018

**MAX LOAD**  
Maximum load not to exceed 100 lbs. and 12" above roof.

**ASSEMBLY REQUIREMENTS**  
All hardware requires 8 foot pounds of torque when tightening.

This document, attachments, and all of the information therein are the property of MIRO Industries, Inc. The information contained is loaned, subject to return upon demand, and is not to be used directly or indirectly in any way detrimental to our interest. Further, the information contained therein shall not be used, in whole or in part, except when allowed by written authorization from MIRO Industries, Inc.

Copyright MIRO Industries, Inc. 2003.

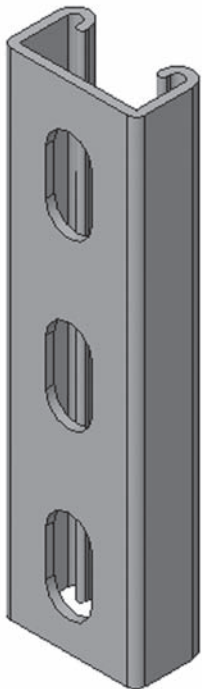
**MODEL M-RBS**



**NAME**  
STANDARD 3/8"-16 ALL-THREAD

**MATERIAL**  
Type 304 Stainless Steel ASTM #240/480

**MODEL 3/8" All-Thread (SS)**



**NAME**  
UNI STRUT®

**MATERIAL**

<u>Channel</u>	<u>Width</u>	<u>Height</u>	<u>Steel Gauge</u>
P1000	1 <sup>5</sup> / <sub>8</sub>	1 <sup>5</sup> / <sub>8</sub>	12 ga
P1100	1 <sup>5</sup> / <sub>8</sub>	1 <sup>5</sup> / <sub>8</sub>	14 ga
P2000	1 <sup>5</sup> / <sub>8</sub>	1 <sup>5</sup> / <sub>8</sub>	16 ga
P3000	1 <sup>5</sup> / <sub>8</sub>	1 <sup>3</sup> / <sub>8</sub>	12 ga
P3300	1 <sup>5</sup> / <sub>8</sub>	7/ <sub>8</sub>	12 ga
P4000	1 <sup>5</sup> / <sub>8</sub>	1 <sup>3</sup> / <sub>16</sub>	16 ga

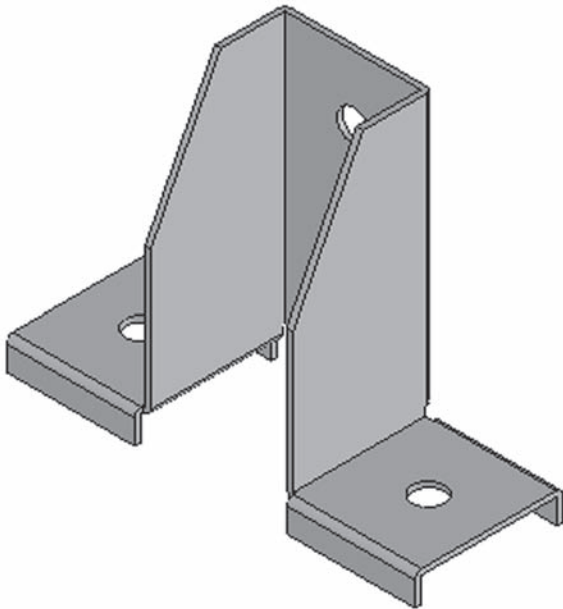
All material is hot dip galvanized.  
CRS-ASTM #A653 GR-33

**MAX LOAD**  
Refer to load calculations at  
www.miroind or www.unistrut.com

**MODEL Uni Strut®**

This document, attachments, and all of the information therein are the property of MIRO Industries, Inc. The information contained is loaned, subject to return upon demand, and is not to be used directly or indirectly in any way detrimental to our interest. Further, the information contained therein shall not be used, in whole or in part, except when allowed by written authorization from MIRO Industries, Inc.

Copyright MIRO Industries, Inc. 2003.



**NAME**  
MIRO STRUT SUPPORT

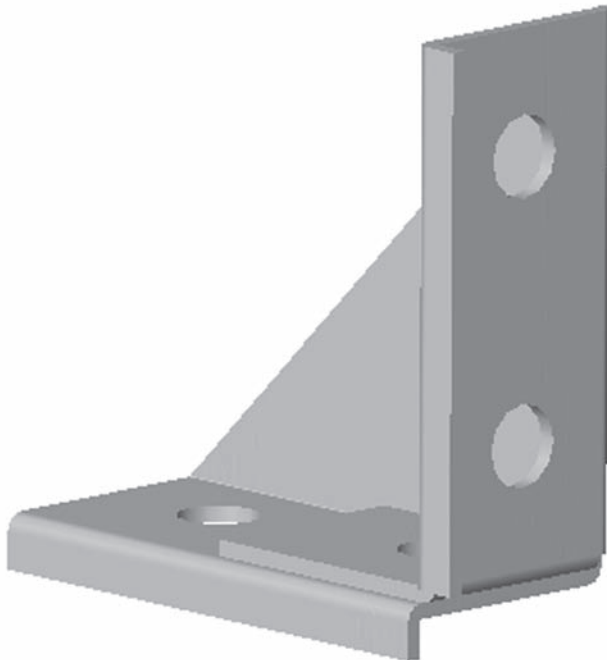
**MATERIAL**  
14ga CRS-ASTM #A-108

**SIZE**  
Both horizontal and vertical brackets accept a maximum 1-5/8" UNI STRUT. Holes are 3/8" O.D.

**MAX LOAD**  
Maximum load not to exceed 400 lbs. per unit.

**ASSEMBLY REQUIREMENTS**  
All hardware requires 8 foot pounds of torque when tightening. Ensure that all strut is aligned in bracket properly.

**MODEL M-SS**



**NAME**  
MIRO CORNER BRACKET

**MATERIAL**  
14ga CRS-ASTM #A-108

**SIZE**  
Bracket accepts 1-5/8" UNI STRUT. Holes are 3/8" O.D.

**MAX LOAD**  
Maximum load not to exceed 400 lbs. per unit.

**ASSEMBLY REQUIREMENTS**  
All hardware requires 8 foot pounds of torque when tightening. Ensure that all strut is aligned with corner bracket.

**MODEL M-CB**

This document, attachments, and all of the information therein are the property of MIRO Industries, Inc. The information contained is loaned, subject to return upon demand, and is not to be used directly or indirectly in any way detrimental to our interest. Further, the information contained therein shall not be used, in whole or in part, except when allowed by written authorization from MIRO Industries, Inc.

Copyright MIRO Industries, Inc. 2003.