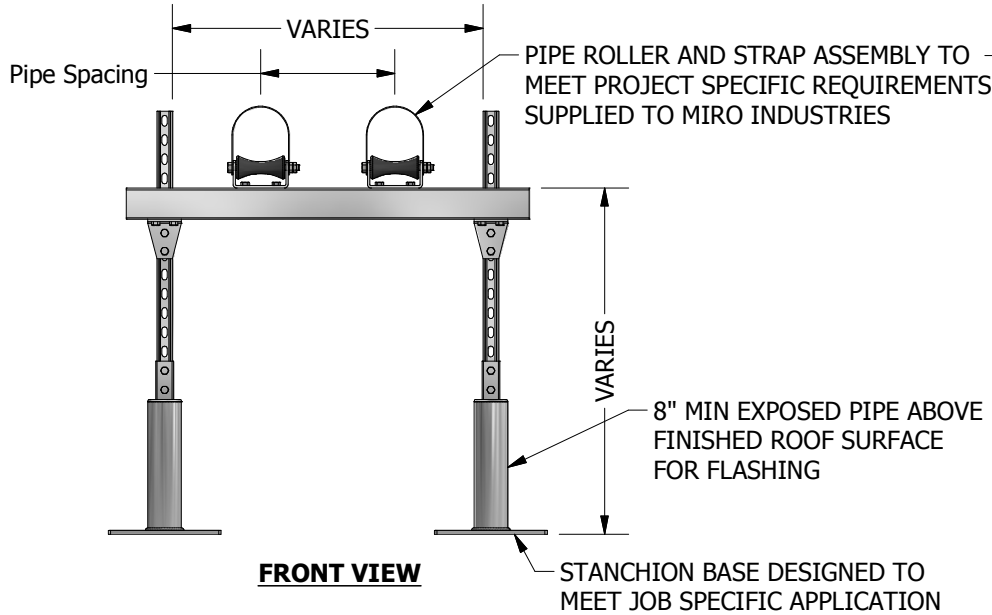
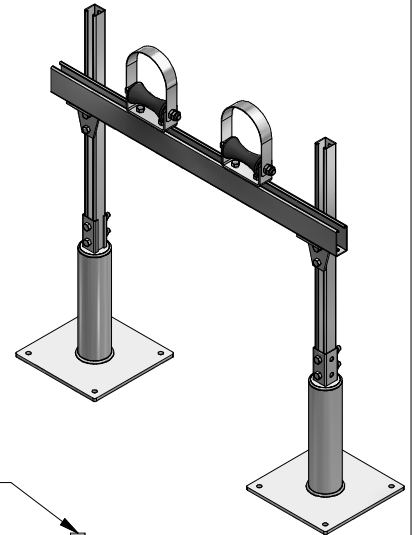


**TOP VIEW**



**FRONT VIEW**

**SIDE VIEW**

**PRODUCT DESCRIPTION**

Water and Steam supports are designed for single or multiple pipes, single tier or multiple tier and for various heights. To obtain pricing, call your local representative and have the following information available:

1. Type of pipe (Steel Sch. 40)
2. Size of pipe (trade size)
3. Pipe contents (liquid or gas)
4. Center line distance between adjacent pipes for multiple pipe supports
5. Clearance height above roof (bottom of insulation)
6. Thickness of any insulation around pipe
7. Pipe layout drawing
8. Project Address
9. Roof framing plan
10. Cross section drawing of roof construction
  - a. Type of deck
  - b. Insulation thickness
  - c. Membrane or finished surface
11. Design criteria information sheet

**KEY INFORMATION**

- Stanchioned pipe supports are engineered to ensure member/ component capacities and deflection criteria are not exceeded. Deflection in the horizontal header bar is not to exceed the span length by 360 or 1/8.
- Stanchioned pipe supports allow adjustable height as desired or required by the code or roof system. Purchasers must specify desired heights and multiple pipe centerline spacing upon quote requests and ordering of stanchioned pipe supports.
- Make certain each pipestand is properly elevated to even loadweight at all pipestands.
- Width and height are built job specific based on information provided to MIRO Ind.
- All metal parts are hot dip galvanized
- MIRO Industries, Inc. is not responsible for the design of the building structure or the components being supported.

MIRO stanchioned supports are engineered to meet project specific design requirements. Stanchioned supports shall only be used on the project they are designed for. Supports are designed to meet loading requirements per ASCE-7 "Minimum Design Loads for Buildings and Other Structures" and locally adopted building codes.

This document, attachments, and all of the information therein are the property of MIRO Industries, Inc. The information contained is loaned, subject to return upon demand, and is not to be used directly or indirectly in any way detrimental to our interest. Further, the information contained therein shall not be used, in whole or in part, except when allowed by written authorization from MIRO Industries, Inc.