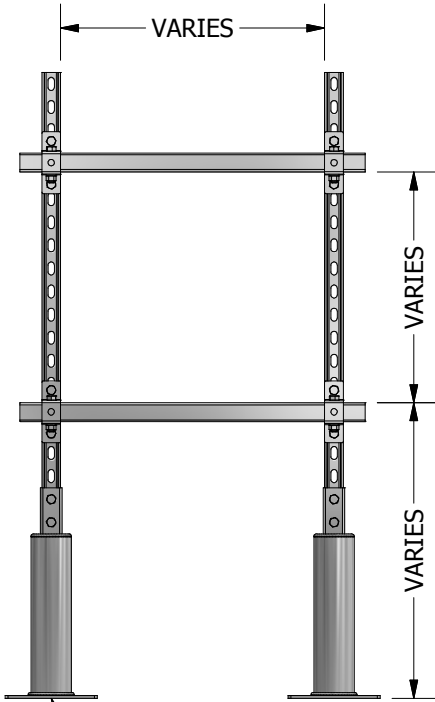
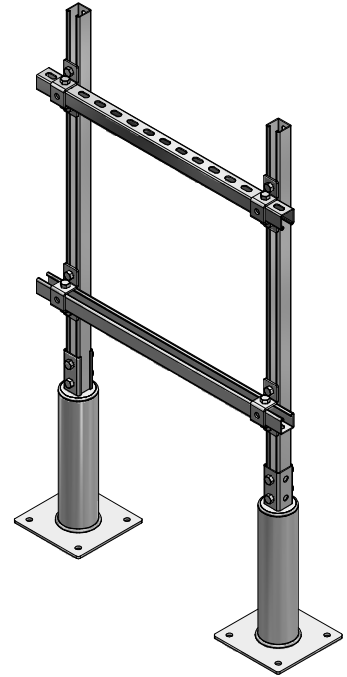


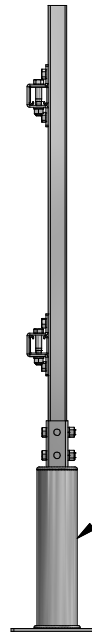
TOP VIEW



FRONT VIEW



ISOMETRIC VIEW



SIDE VIEW

8" MIN EXPOSED PIPE ABOVE FINISHED ROOF SURFACE TO ACCOMODATE FLASHING BY OTHERS. (TYP)

PRODUCT DESCRIPTION

Duct and Cable Trays are designed for single or multiple duct supports and cable trays.

To obtain a project specific design and pricing call your local representative and have the following information available:

1. Dimensions of duct
2. Duct material (gauge thickness)
3. Clearance height above roof (bottom of insulation)
4. Insulation (if any)
5. Duct layout drawing
6. Project Address
7. Roof framing plan
8. Cross section drawing of roof construction
 - a. Type of deck
 - b. Insulation thickness
 - c. Membrane or finished surface
9. Design criteria information sheet

KEY INFORMATION

- Stanchioned duct supports are engineered to ensure member/component capacities and deflection criteria are not exceeded. Deflection in the horizontal header bar is not to exceed the span length by 360 or 1/8.
- Recommended spacing is not to exceed 8 feet centers depending upon the load.
- Width and height are built job specific based on information provided to MIRO Ind. with a minimum height of 16"
- All metal parts are hot dip galvanized
- MIRO Industries, Inc. is not responsible for the design of the building structure or the components being supported.

MIRO stanchioned supports are engineered to meet project specific design requirements. Stanchioned supports shall only be used on the project they are designed for. Supports are designed to meet loading requirements per ASCE-7 "Minimum Design Loads for Buildings and Other Structures" and locally adopted building codes.

This document, attachments, and all of the information therein are the property of MIRO Industries, Inc. The information contained is loaned, subject to return upon demand, and is not to be used directly or indirectly in any way detrimental to our interest. Further, the information contained therein shall not be used, in whole or in part, except when allowed by written authorization from MIRO Industries, Inc.