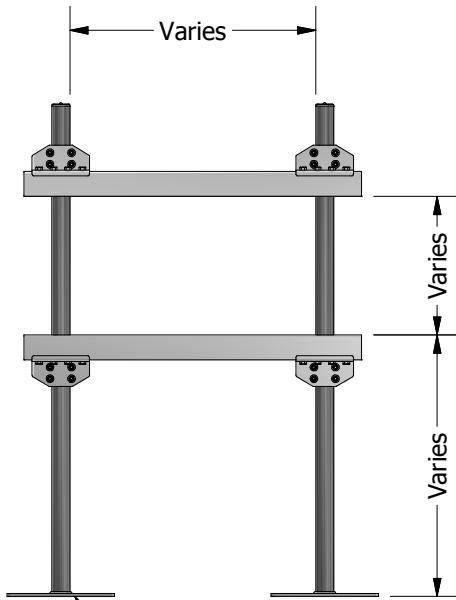
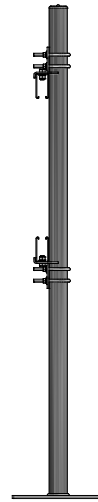
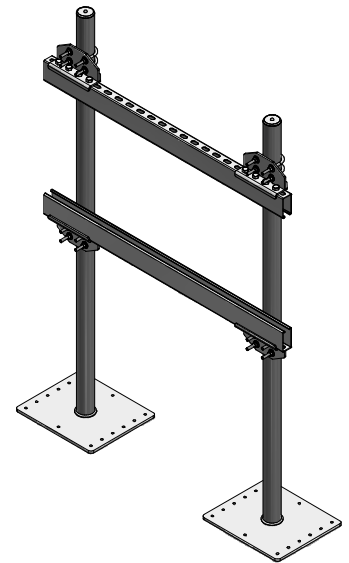
**TOP VIEW**

STANCHION BASE DESIGNED TO MEET  
JOB SPECIFIC APPLICATIONS

**FRONT VIEW****SIDE VIEW****ISOMETRIC VIEW****PRODUCT DESCRIPTION**

Duct and Cable Trays are designed for single or multiple duct supports and cable trays.

To obtain a project specific design and pricing call your local representative and have the following information available:

1. Dimensions of duct
2. Duct material (gauge thickness)
3. Clearance height above roof (bottom of insulation)
4. Insulation (if any)
5. Duct layout drawing
6. Project Address
7. Roof framing plan
8. Cross section drawing of roof construction
  - a. Type of deck
  - b. Insulation thickness
  - c. Membrane or finished surface
9. Design criteria information sheet

**KEY INFORMATION**

- Stanchioned duct supports are engineered to ensure member/ component capacities and deflection criteria are not exceeded. Deflection in the horizontal header bar is not to exceed the span length by 360 or 1/8.
- Recommended spacing is not to exceed 8 feet centers depending upon the load.
- Width and height are built job specific based on information provided to MIRO Ind. with a minimum height of 12"
- All metal parts are hot dip galvanized
- MIRO Industries, Inc. is not responsible for the design of the building structure or the components being supported.

MIRO stanchioned supports are engineered to meet project specific design requirements. Stanchioned supports shall only be used on the project they are designed for. Supports are designed to meet loading requirements per ASCE-7 "Minimum Design Loads for Buildings and Other Structures" and locally adopted building codes.