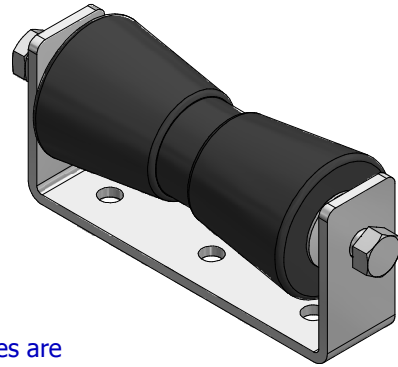


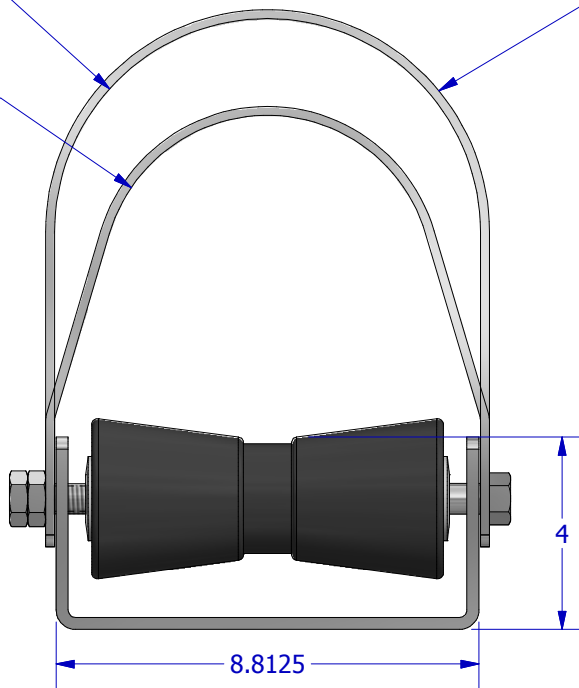
TOP VIEW



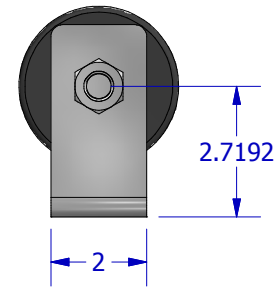
8.875 ϕ ID

6.875 ϕ ID

Pipe Guides are accessory items. Pipe Guides shall not be rigidly attached to the pipe, thus allowing for thermal expansion and contraction of the pipe being supported



FRONT VIEW



SIDE VIEW

ACCESSORIES

- Typical pipe guide sizes shown, custom sizes available upon request

PRODUCT DESCRIPTION

A "roller-bearing" pipe support that can be mounted to typical strut pipe supports or other custom supports carrying gas pipe, electrical conduit, solar piping and other mechanical piping. Design allows for thermal expansion and contraction of pipe thus isolating pipe movement from the support frame. Pipe rests on a recycled rubber roller.

KEY INFORMATION

- 8.875" maximum pipe capacity
- All metal parts and hardware are hot-dip galvanized
- Roller material is recycled rubber