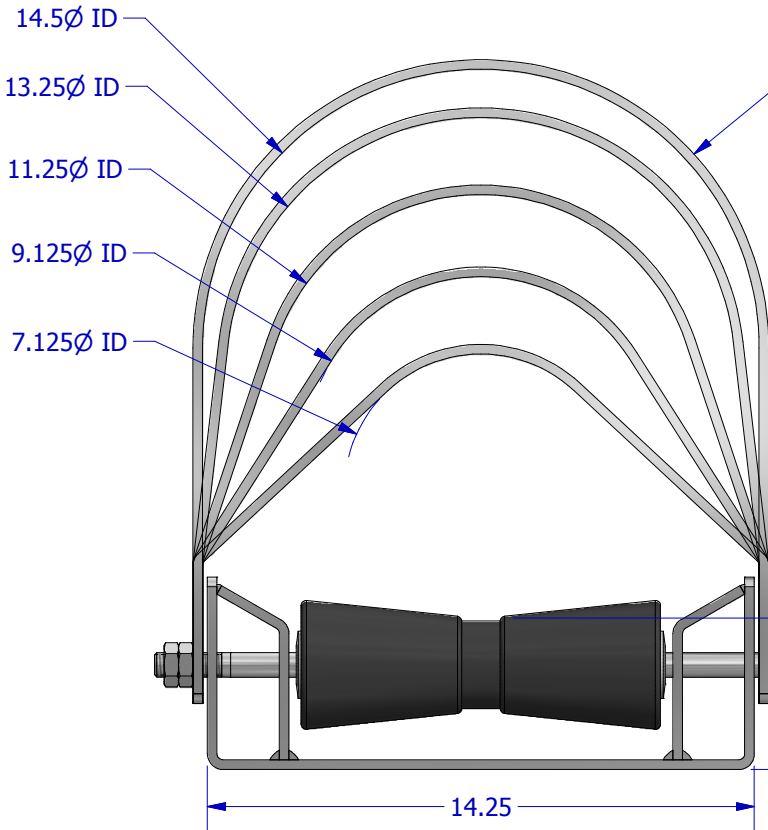
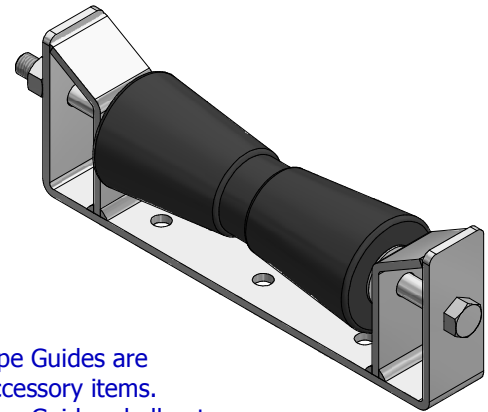


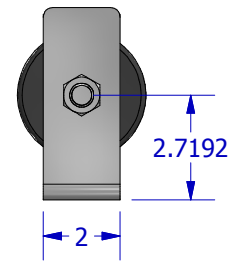


TOP VIEW



FRONT VIEW

Pipe Guides are accessory items. Pipe Guides shall not be rigidly attached to the pipe, thus allowing for thermal expansion and contraction of the pipe being supported



SIDE VIEW

ACCESSORIES

- Typical pipe guide sizes shown, custom sizes available upon request

PRODUCT DESCRIPTION

A "roller-bearing" pipe support that can be mounted to typical strut pipe supports or other custom supports carrying gas pipe, electrical conduit, solar piping and other mechanical piping. Design allows for thermal expansion and contraction of pipe thus isolating pipe movement from the support frame. Pipe rests on a recycled rubber roller.

KEY INFORMATION

- 14.5" maximum pipe capacity
- All metal parts and hardware are hot-dip galvanized
- Roller material is recycled rubber

This document, attachments, and all of the information therein are the property of MIRO Industries, Inc. The information contained is loaned, subject to return upon demand, and is not to be used directly or indirectly in any way detrimental to our interest. Further the information contained therein shall not be used, in whole or in part, except when allowed by written authorization from MIRO Industries, Inc. © MIRO INDUSTRIES, INC. 2003-2014