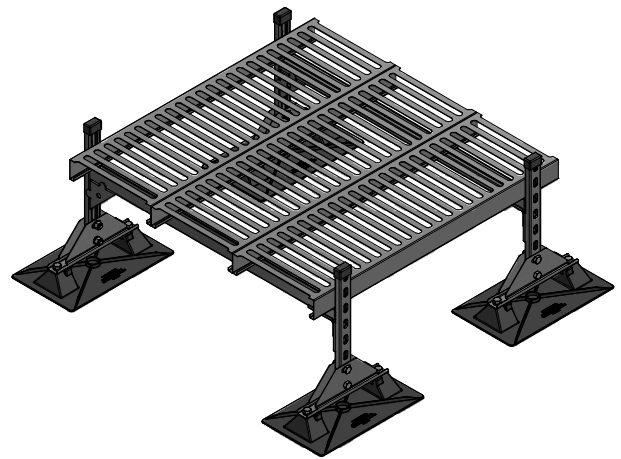
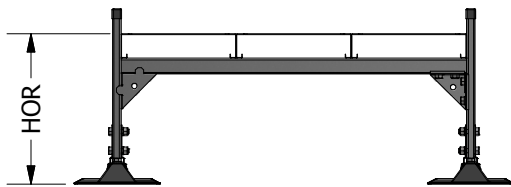


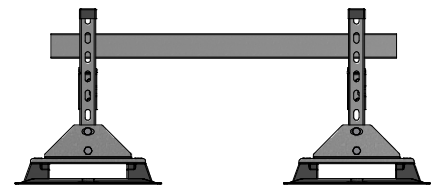
TOP VIEW



ISOMETRIC VIEW



FRONT VIEW



SIDE VIEW

ACCESSORIES

- 9 x 15.25 Support pad
- Eternabond® 2-sided tape

PRODUCT DESCRIPTION

The MIRO HD-Mechanical Supports are design to elevate rooftop mechanical units, cabinets and other devices. The HD-Mechanical Support deck is 12" x 2-1/2" x 18 ga. planking. The supports are adjustable in height per the project requirements. All metal parts are hot-dip galvanized for outdoor weathering protection. The support bases are injection molded Polycarbonate.

KEY INFORMATION

- Designed to support mechanical units, cabinets and other devices.
- Designed to meet project specific dimensions with adjustability as specified.
- Support Deck is constructed of 12" x 2-1/2" x 18 ga. metal planking. (Bar Grating may be specified or required depending on loading and dimensional requirements)
- Support is designed to not exceed 2.0 psi to the finished roof surface under each base.
- Base Material: Polycarbonate
- All metal parts are either stainless steel, hot-dip galvanized or pre-galvanized.
- Non-Anchored supports do not provide significant resistance to wind or seismic loading. Contact MIRO Industries for wind and seismic solutions.
- Can hold up to 850 lbs if evenly distributed to each leg of the support.

This document, attachments, and all of the information therein are the property of MIRO Industries, Inc. The information contained is loaned, subject to return upon demand, and is not to be used directly or indirectly in any way detrimental to our interest. Further, the information contained therein shall not be used, in whole or in part, except when allowed by written authorization from MIRO Industries, Inc.