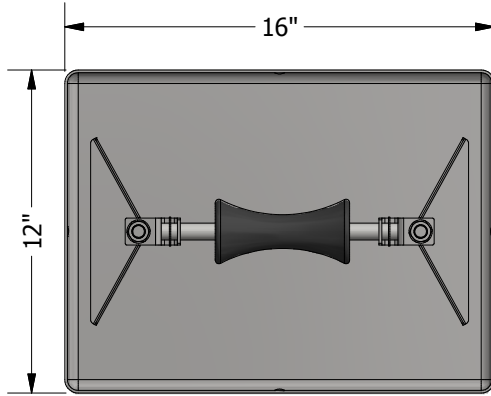
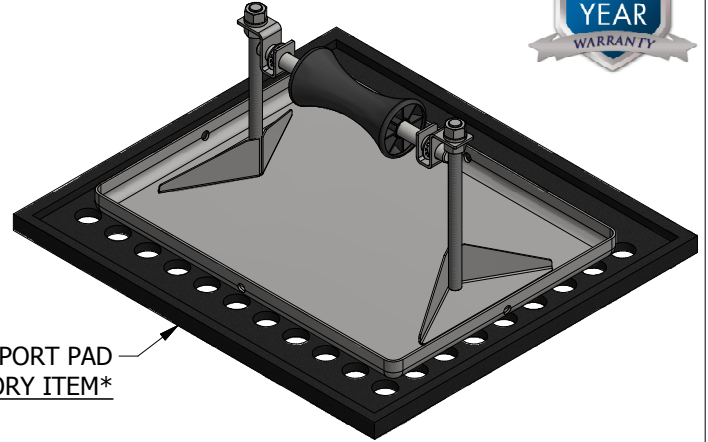




**DYNAMIC SERIES**

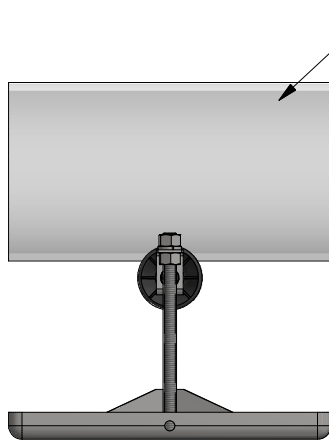


**TOP VIEW**



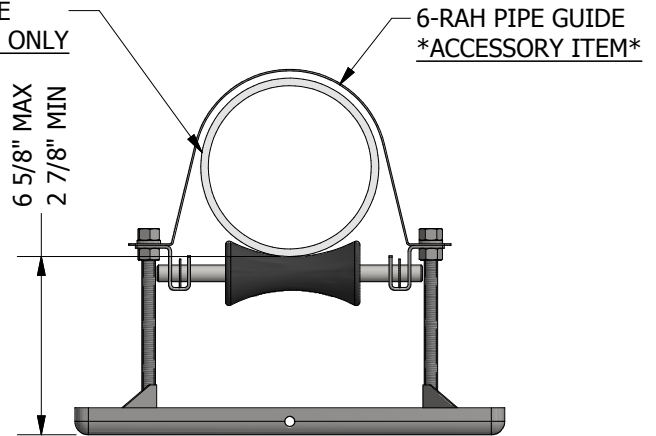
16x18 SUPPORT PAD  
\*ACCESSORY ITEM\*

**ISOMETRIC VIEW**



**SIDE VIEW**

6" SCH. 40 PIPE  
ILLUSTRATION ONLY



**FRONT VIEW**

6-RAH PIPE GUIDE  
\*ACCESSORY ITEM\*

**ACCESSORIES**

- Refer to 6-RAH Pipe Guide specification for available sizes.
- 16x18 Support pad
- Eternabond® 2-sided tape

**PRODUCT DESCRIPTION**

A "roller-bearing" pipe support used to support roof-mounted gas pipes, electrical conduit, solar piping and other mechanical piping. Unique design absorbs thermal expansion and contraction of pipes thus preventing damage to the roof membrane. Pipes rest on a self-lubricating polycarbonate resin axle and roller.

**KEY INFORMATION**

- 6" ID maximum pipe capacity 8-1/2" OD maximum.
- Adjustable in height from 2-7/8" to 6-5/8", even load required, maximum load is 349 lbs.
- 4 per case, 36 lbs. per case
- Recommended spacing is not to exceed 10 feet centers depending upon the load. Make certain each pipestand is properly elevated to even load weight at all pipestands.
- Base Material: Stainless Steel
- Roller Material: Polycarbonate
- All metal parts are stainless steel

This document, attachments, and all of the information therein are the property of MIRO Industries, Inc. The information contained is loaned, subject to return upon demand, and is not to be used directly or indirectly in any way detrimental to our interest. Further, the information contained therein shall not be used, in whole or in part, except when allowed by written authorization from MIRO Industries, Inc.