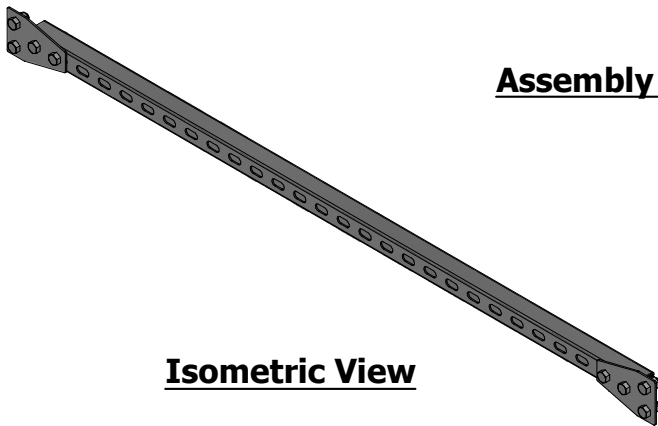
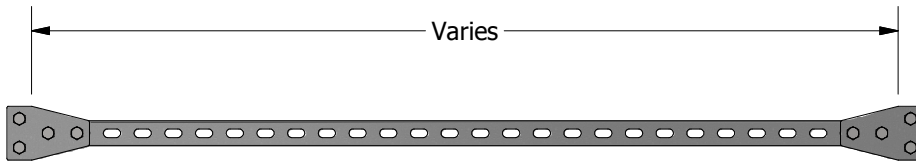




Assembly View



Isometric View



Front View

KEY INFORMATION

- Cross braces are required on duct or pipe supports that are higher than 36" above the roof.
- Provide cross braces on each side of supports.
- Strut material is hot dip galvanized.
- Bracket and hardware material is hot dip galvanized.