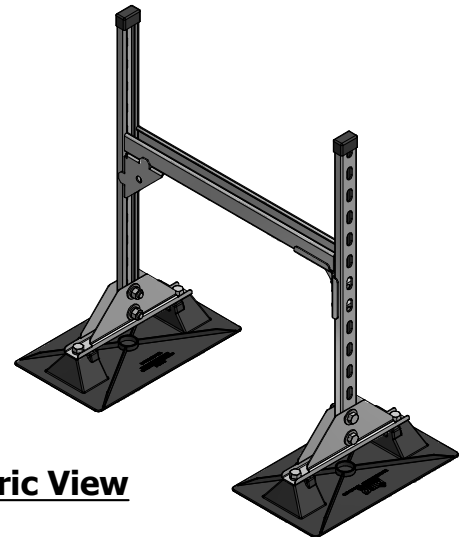
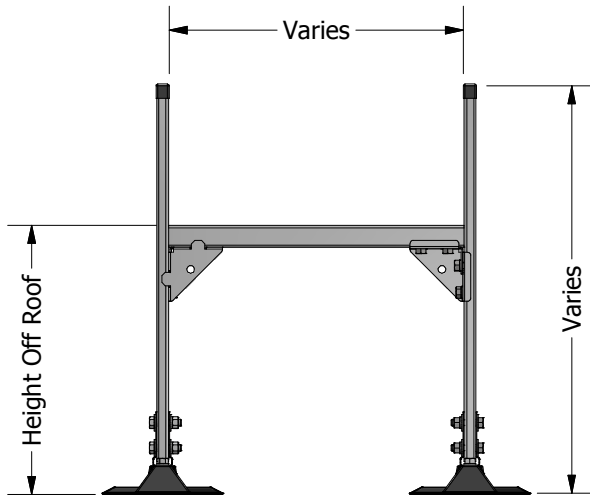
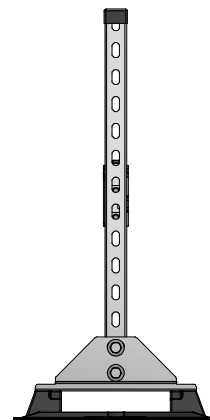
**Top View****Isometric View****Front View****Side View****ACCESSORIES**

- 9 x 15-1/4 Support pad
- Cross bracing

**PRODUCT DESCRIPTION**

Duct and Cable Trays are designed for single or multiple duct supports and cable trays.

To obtain pricing for the 6-DS model, call your local representative and have the following information available:

1. Specify number of supports needed or provide a roof top duct layout drawing and MIRO Ind. will provide a support layout drawing and take off.
2. Dimensions of duct
3. Duct material (gauge thickness)
4. Clearance height above roof
5. Total footage of duct
6. Insulation (if any)
7. Does duct need to be enclosed?

**KEY INFORMATION**

- The 6-DS series support is engineered to ensure member/component capacities and deflection criteria are not exceeded. Maximum loading from any MIRO base to the finished roof surface is not to exceed 2.0 psi unless specifically allowed otherwise in the project specifications. Deflection in the horizontal header bar is not to exceed the span length by 360 or 1/8.
- Recommended spacing is not to exceed 8 feet centers depending upon the load. Do not exceed load weight
- Width and height are built job specific based on information provided to MIRO Ind. with a minimum height of 12"
- Frame is made with 12 Gauge Channel; size is determined during design
- Base Material: Polycarbonate
- All metal parts are hot dip galvanized