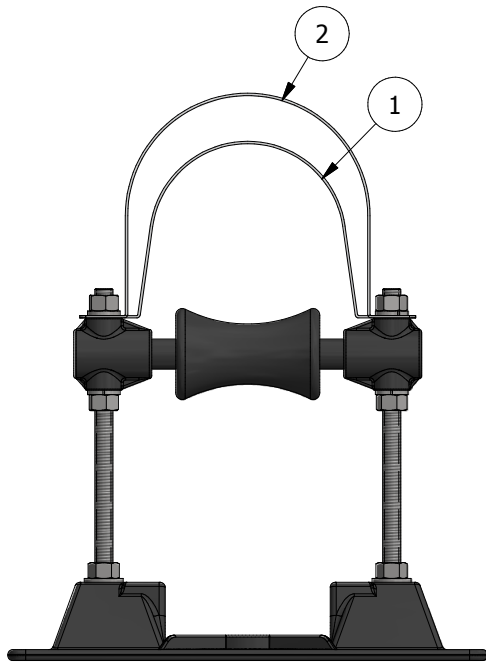
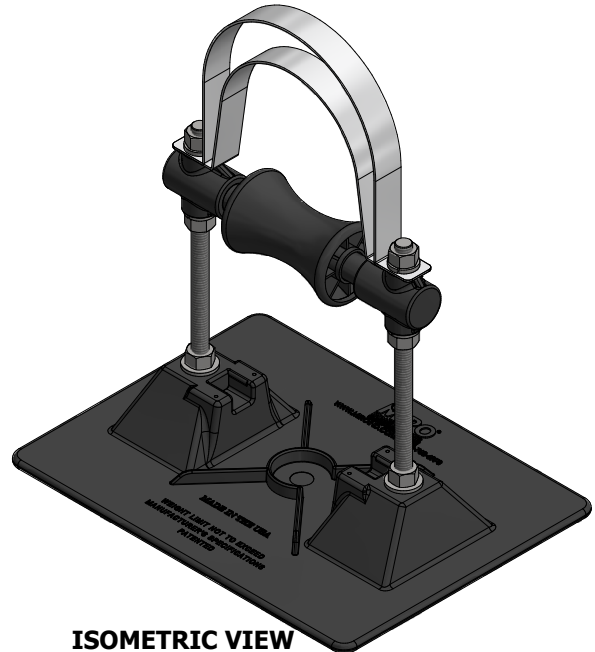




**DYNAMIC SUPPORTS**



**FRONT VIEW**



**ISOMETRIC VIEW**

**PRODUCT DESCRIPTION**

MIRO Industries 3-RAH Pipe Guides are designed specifically for the 3-RAH series supports. All pipe guides will ship separately and need to be installed on site.

It is important to note that pipe guides should not be rigidly attached to the actual pipe that is placed on the pipe stand, thus allowing for expansion and contraction to occur within the pipestand.

**KEY INFORMATION**

- 3-RAH Pipe Guides can be used on all 3-RAH and 4-RAH Supports.
- Designed to support up to a 3" bare schedule 40 steel pipe.
- Pipe guides are made of 16 ga. aluminum 5052 alloy temper H32 per ASTM B-209-0.
- Custom size pipe guides can be manufactured as requested.

3-RAH PIPE GUIDES (ALSO FITS ALL 4-RAH SERIES SUPPORTS)		
ITEM	PART NUMBER	DESCRIPTION
1	3-RAH 3 Pipe Guide - 16 ga ALUM	Fits a 3 inch Sch. 40 Steel Pipe (3.5" OD)
2	4-RAH 4 Pipe Guide - 16 ga ALUM	Fits up to a 4.875" OD Insulated Pipe

This document, attachments, and all of the information therein are the property of MIRO Industries, Inc. The information contained is loaned, subject to return upon demand, and is not to be used directly or indirectly in any way detrimental to our interest. Further, the information contained therein shall not be used, in whole or in part, except when allowed by written authorization from MIRO Industries, Inc.