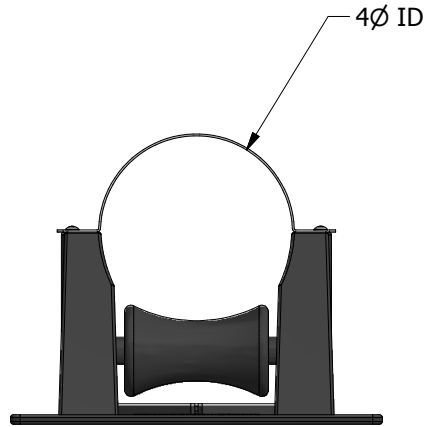
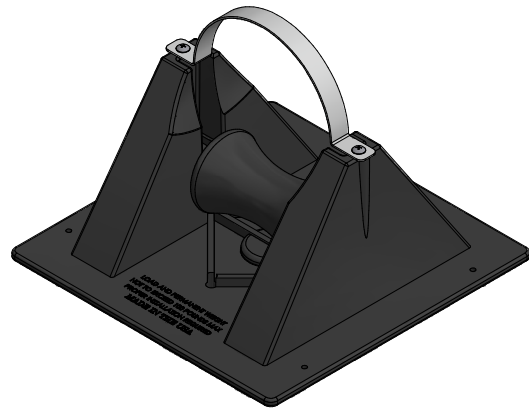




## DYNAMIC SERIES



**FRONT VIEW**



**ISOMETRIC VIEW**

### **Product Description**

MIRO Industries pipe guides are designed to attach to MIRO Industries pipe supports so as to allow pipe to come out of or be displaced from the pipe stand. All pipe guides will ship separately and need to be installed on site. It is important to note that pipe guides should not be rigidly attached to the actual pipe that is placed in the pipe stand, thus allowing for expansion and contraction to occur within the pipe stand. Strap material is a .040 aluminum 5052 allow temper H32 ASTM B-209-0. Included with 1.5 and 3-R pipe guides are #8 stainless steel screws that are to be used to mount through pre-punched holds in the strap down into the polycarbonate pipe supports. This can be done by using a phillips head screwdriver.